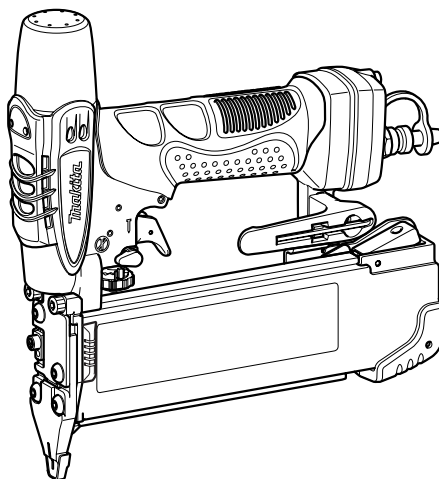
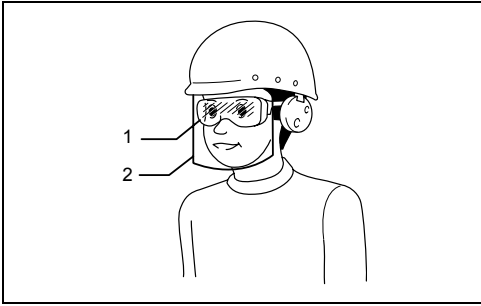




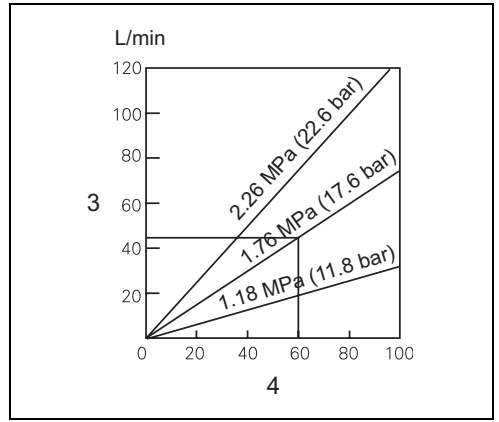
| | | |
|-----------|---|--------------------------------|
| GB | Pneumatic Brad Nailer | Instruction manual |
| F | Cloueuse pneumatique | Manuel d'instructions |
| D | Luftdruck-Senkkopfnagler | Betriebsanleitung |
| I | Chiodatrice pneumatica | Istruzioni per l'uso |
| NL | Pneumatische nagelaandrijver | Gebruiksaanwijzing |
| E | Clava puntas neumático | Manual de instrucciones |
| P | Agrafador de agrafos e pregos pneumático | Manual de instruções |
| DK | Pneumatisk sømmemaskine | Brugsanvisning |
| GR | Καρφωτικό πιστόλι | Οδηγίες χρήσης |

AF550H

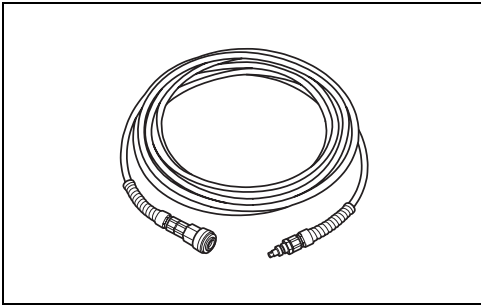




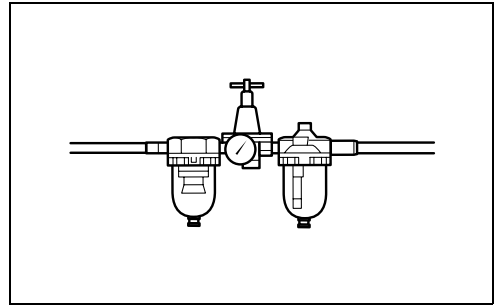
1



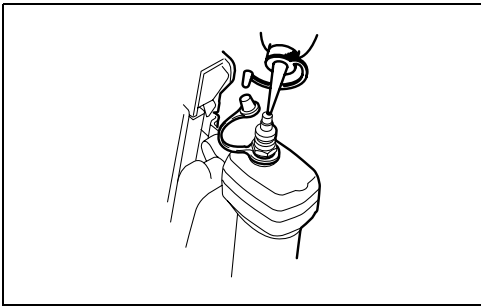
2



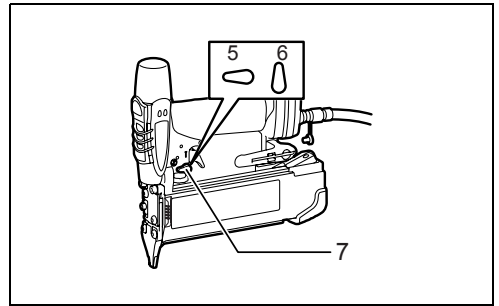
3



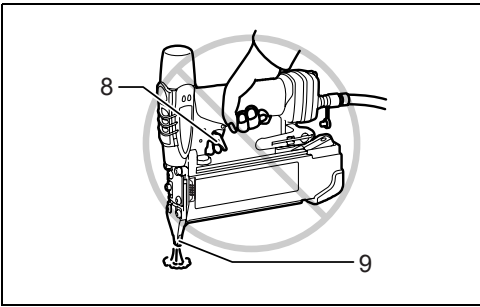
4



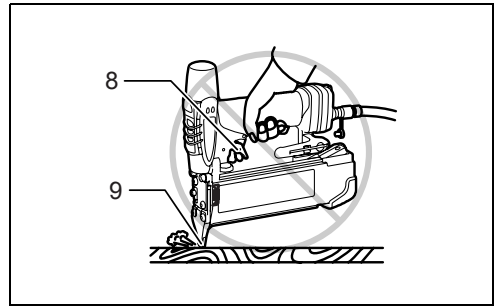
5



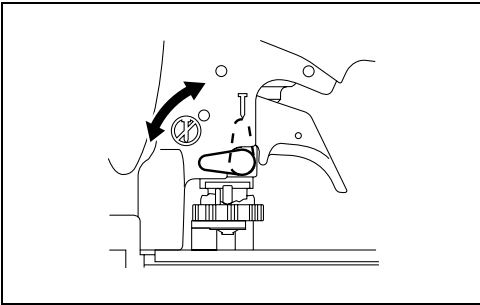
6



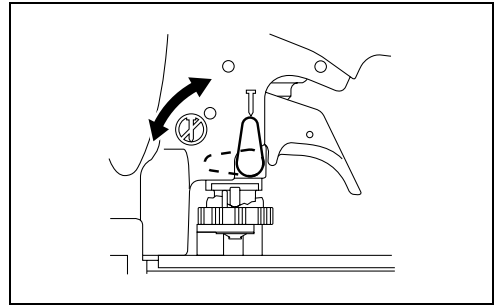
7



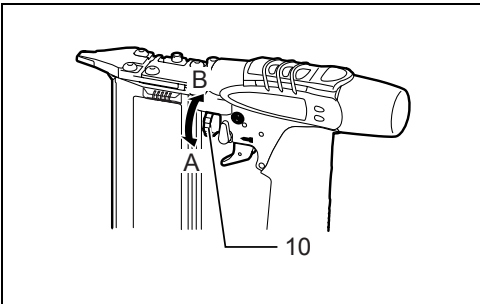
8



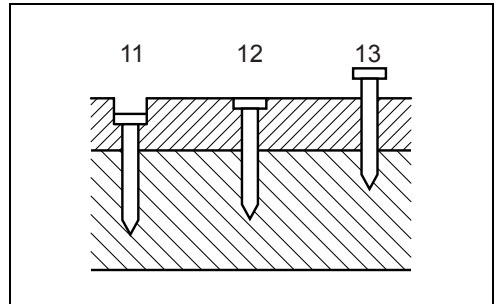
9



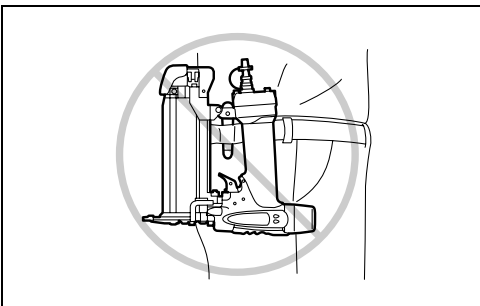
10



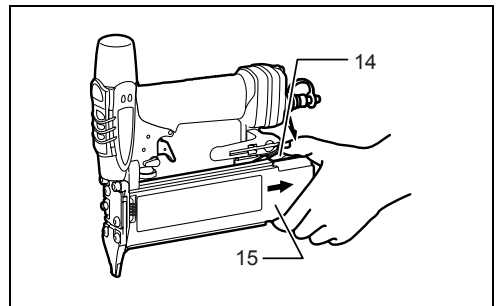
11



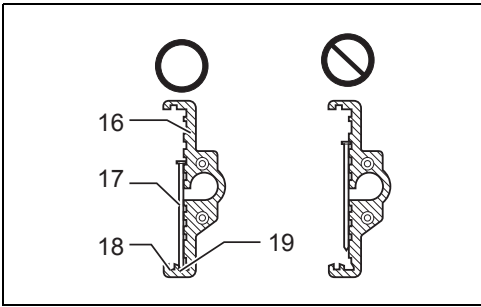
12



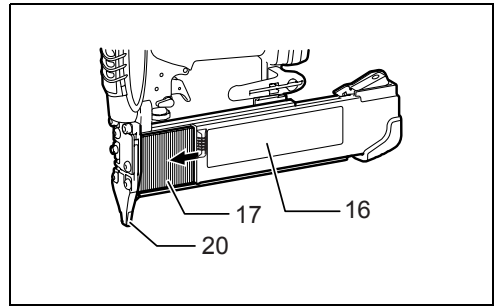
13



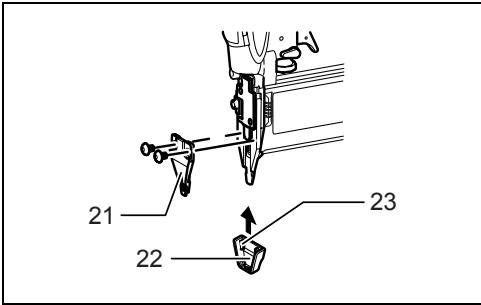
14



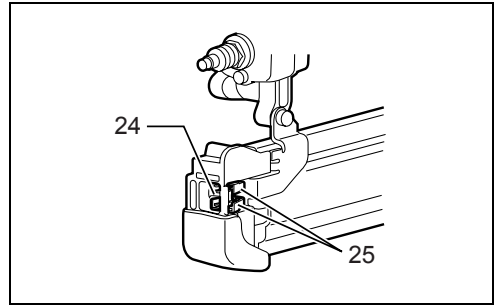
15



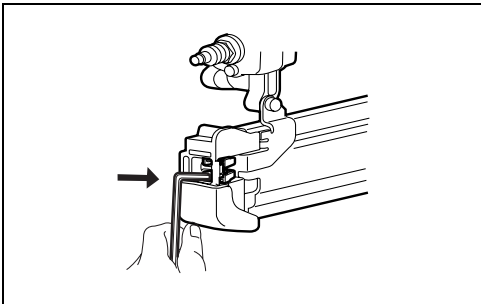
16



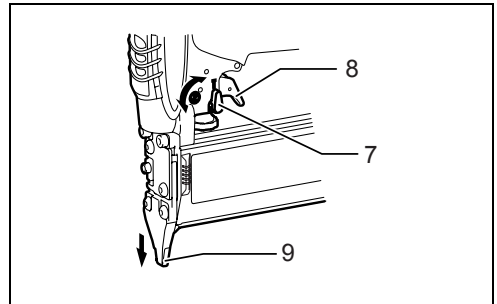
17



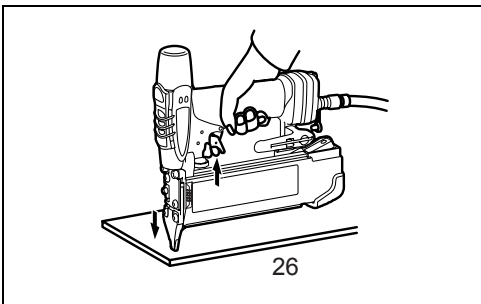
18



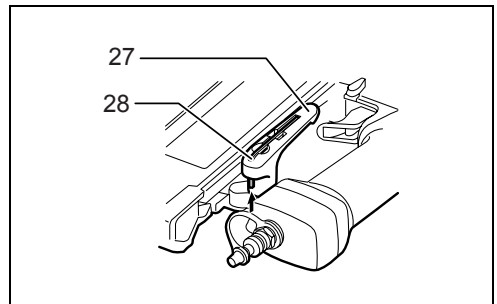
19



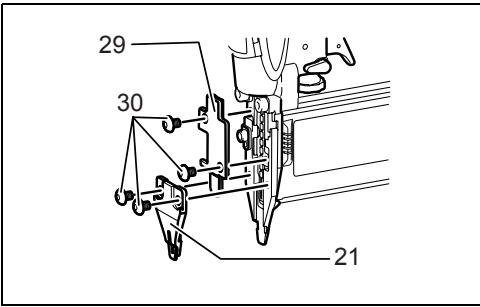
20



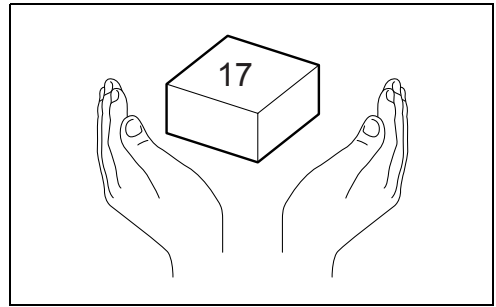
21



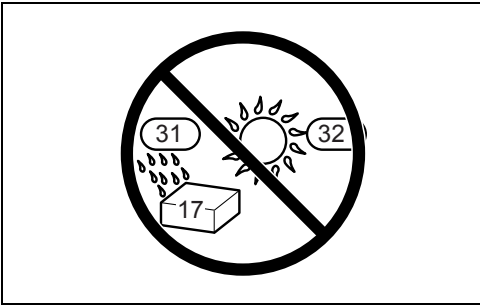
22



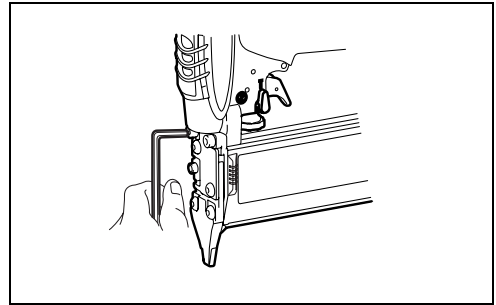
23



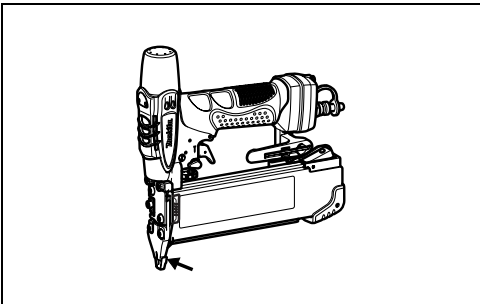
24



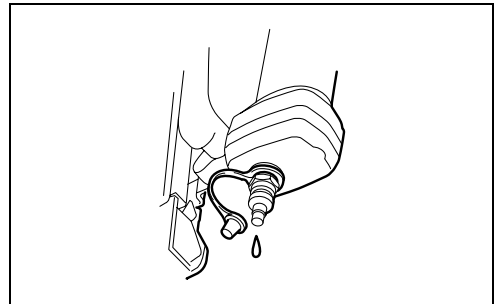
25



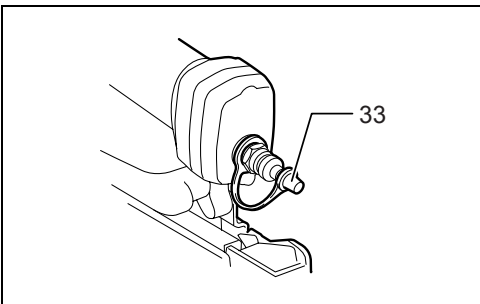
26



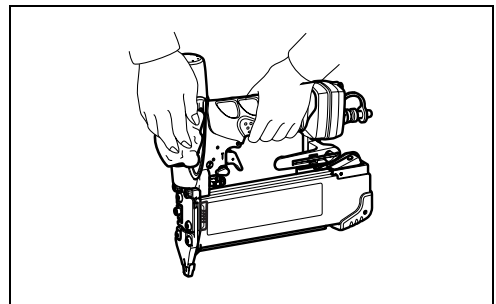
27



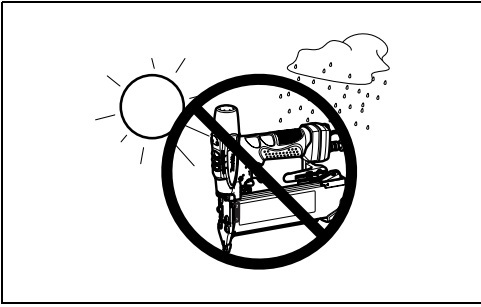
28



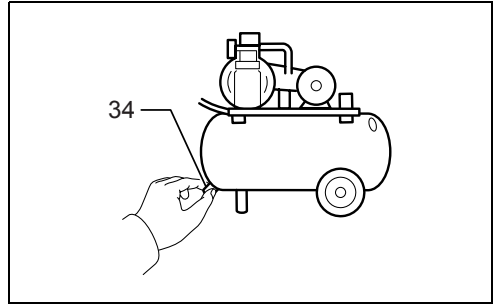
29



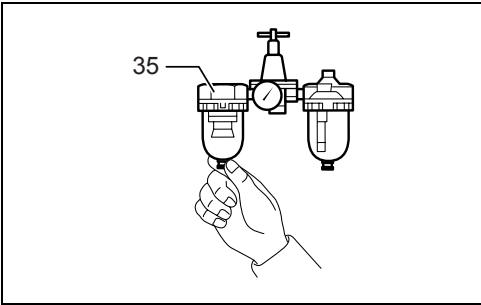
30



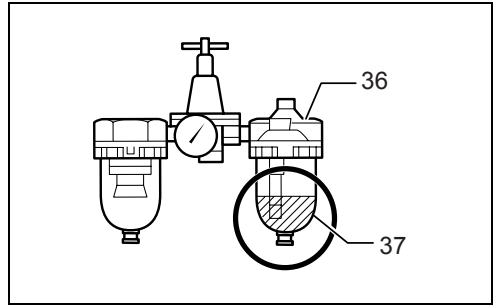
31



32



33



34



35

ENGLISH

Explanation of general view

- | | | |
|-------------------------------------|--|-----------------------|
| 1. Safety glasses | 15. Sliding door | 27. Holder |
| 2. Face shield | 16. Magazine | 28. Hex wrench |
| 3. Compressor air output per minute | 17. Nail | 29. Rear driver guide |
| 4. Nailing frequency (times/min.) | 18. Groove for the sliding door | 30. Screws |
| 5. Locking position | 19. Grooves at the bottom of the magazine | 31. Humid |
| 6. Released position | 20. Nail discharge opening | 32. Hot |
| 7. Lock lever | 21. Front driver guide | 33. Cap |
| 8. Trigger | 22. Nose adapter | 34. Drain cock |
| 9. Contact element | 23. Protrusion | 35. Air filter |
| 10. Adjuster | 24. Holder | 36. Oiler |
| 11. Too deep | 25. Nose adapter | 37. Pneumatic oil |
| 12. Flush | 26. Place first the contact element against workpiece. | 38. Thinner |
| 13. Too shallow | | 39. Stove |
| 14. Lever | | |

SPECIFICATIONS

| | |
|------------------------|----------------------------------|
| Model | AF550H |
| Air pressure | 0.98 - 2.26 MPa (9.8 - 22.6 bar) |
| Nail length | 15 mm - 55 mm |
| Nail capacity | 100 pcs. |
| Dimensions (L X H X W) | 228 mm X 61 mm X 235 mm |
| Min. hose diameter | 5.0 mm or more |
| Net weight | 1.2 Kg |

- Due to our continuing programme of research and development, the specifications herein are subject to change without notice.
- Note: Specifications may differ from country to country.

Symbols

END106-2

The following show the symbols used for the equipment. Be sure that you understand their meaning before use.



..... Read instruction manual.



..... Wear safety glasses.



..... Do not use on scaffolding, ladders.

IMPORTANT SAFETY INSTRUCTIONS

ENB110-1

WARNING: WHEN USING THIS TOOL, BASIC SAFETY PRECAUTIONS SHOULD ALWAYS BE FOLLOWED TO REDUCE THE RISK OF PERSONAL INJURY, INCLUDING THE FOLLOWING:

READ ALL INSTRUCTIONS.

- For personal safety and proper operation and maintenance of the tool, read this instruction manual before using the tool.
- Always wear safety glasses to protect your eyes from dust or nail injury.

WARNING:

It is an employer's responsibility to enforce the use of

safety eye protection equipment by the tool operators and by other persons in the immediate working area.

- For Australia and New Zealand only Always wear safety glasses and face shield to protect your eyes from dust or nail injury. The safety glasses and the face shield should conform with the requirements of AS/NZS 1336.

WARNING:

It is an employer's responsibility to enforce the use of safety eye protection equipment by the tool operators and by other persons in the immediate working area. **(Fig. 1)**

- Wear hearing protection to protect your ears against exhaust noise and head protection. Also wear light but not loose clothing. Sleeves should be buttoned or rolled up. No necktie should be worn.
- Rushing the job or forcing the tool is dangerous. Handle the tool carefully. Do not operate when under the influence of alcohol, drugs or the like.
- General Tool Handling Guidelines:
 - (1) Always assume that the tool contains fasteners.
 - (2) Do not point the tool toward yourself or anyone whether it contains fasteners or not.
 - (3) Do not activate the tool unless the tool is placed firmly against the workpiece.
 - (4) Respect the tool as a working implement.
 - (5) No horseplay.
 - (6) Do not hold or carry the tool with a finger on the trigger.

- (7) Do not load the tool with fasteners when any one of the operating controls is activated.
 - (8) Do not operate the tool with any power source other than that specified in the tool operating/safety instructions.
- An improperly functioning tool must not be used.
 - Sparks sometimes fly when the tool is used. Do not use the tool near volatile, flammable materials such as gasoline, thinner, paint, gas, adhesives, etc.; they will ignite and explode, causing serious injury.
 - The area should be sufficiently illuminated to assure safe operations. The area should be clear and litter-free. Be especially careful to maintain good footing and balance.
 - Only those involved in the work should be in the vicinity. Children especially must be kept away at all times.
 - There may be local regulations concerning noise which must be complied with by keeping noise levels within prescribed limits. In certain cases, shutters should be used to contain noise.
 - Do not play with the contact element: it prevents accidental discharge, so it must be kept on and not removed. Securing the trigger in the ON position is also very dangerous. Never attempt to fasten the trigger. Do not operate a tool if any portion of the tool operating controls is inoperable, disconnected, altered, or not working properly.
 - Operate the tool within the specified air pressure of 0.98 - 2.26 MPa (9.8 - 22.6 bar) for safety and longer tool life. Do not exceed the recommended max. operating pressure of 2.26 MPa (22.6 bar). The tool should not be connected to a source whose pressure potentially exceeds 3.39 MPa (33.9 bar).
 - Make sure that the pressure supplied by the compressed air system does not exceed the maximum allowable pressure of the fastener driving tool. Set the air pressure initially to the lower value of the recommended allowable pressure (see SPECIFICATIONS).
 - Never use the tool with other than compressed air. If bottled gas (carbon dioxide, oxygen, nitrogen, hydrogen, air, etc.) or combustible gas (hydrogen, propane, acetylene, etc.) is used as a power source for this tool, the tool will explode and cause serious injury.
 - Always check the tool for its overall condition and loose screws before operation. Tighten as required.
 - Make sure all safety systems are in working order before operation. The tool must not operate if only the trigger is pulled or if only the contact arm is pressed against the wood. It must work only when both actions are performed. Test for possible faulty operation with nails unloaded and the pusher in fully pulled position.
 - Make sure that the trigger is locked when the lock lever is set to the LOCK position.
 - Check walls, ceilings, floors, roofing and the like carefully to avoid possible electrical shock, gas leakage, explosions, etc. caused by striking live wires, conduits or gas pipes.
 - Use only nails specified in this manual. The use of any other nails may cause malfunction of the tool.
 - Never use fastener driving tools marked with the symbol "Do not use on scaffoldings, ladders" for specific application for example:
 - when changing one driving location to another involves the use of scaffoldings, stairs, ladders, or ladder alike constructions, e.g. roof laths;
 - closing boxes or crates;
 - fitting transportation safety systems e.g. on vehicles and wagons.
- Do not permit those uninstructed to use the tool.
 - Make sure no one is nearby before nailing. Never attempt to nail from both the inside and outside at the same time. Nails may rip through and/or fly off, presenting a grave danger.
 - Watch your footing and maintain your balance with the tool. Make sure there is no one below when working in high locations, and secure the air hose to prevent danger if there is sudden jerking or catching.
 - On rooftops and other high locations, nail as you move forward. It is easy to lose your footing if you nail while inching backward. When nailing against perpendicular surface, nail from the top to the bottom. You can perform nailing operations with less fatigue by doing so.
 - A nail will be bent or the tool can become jammed if you mistakenly nail on top of another nail or strike a knot in the wood. The nail may be thrown and hit someone, or the tool itself can react dangerously. Place the nails with care.
 - Do not leave the loaded tool or the air compressor under pressure for a long time out in the sun. Be sure that dust, sand, chips and foreign matter will not enter the tool in the place where you leave it setting.
 - Do not point the ejection port at anyone in the vicinity. Keep hands and feet away from the ejection port area.
 - When the air hose is connected, do not carry the tool with your finger on the trigger or hand it to someone in this condition. Accidental firing can be extremely dangerous.
 - Handle the tool carefully, as there is high pressure inside the tool that can be dangerous if a crack is caused by rough handling (dropping or striking). Do not attempt to carve or engrave on the tool.
 - Stop nailing operations immediately if you notice something wrong or out of the ordinary with the tool.
 - Always disconnect the air hose and remove all of the nails:
 1. When unattended.
 2. Before performing any maintenance or repair.
 3. Before cleaning a jam.
 4. Before moving the tool to a new location.
 - Perform cleaning and maintenance right after finishing the job. Keep the tool in tip-top condition. Lubricate moving parts to prevent rusting and minimize friction-related wear. Wipe off all dust from the parts.
 - When not operating the tool, always lock the trigger by turning the lock lever to the LOCK position.
 - Do not modify tool without authorization from Makita.
 - Ask Makita's Authorized service centers for periodical inspection of the tool.
 - To maintain product SAFETY and RELIABILITY, maintenance and repairs should be performed by Makita Authorized Service Centers, always using Makita replacement parts.
 - Use only pneumatic tool oil specified in this manual.
 - Never connect tool to compressed air line where the maximum allowable pressure of tool cannot be

exceeded by 10%. Make sure that the pressure supplied by the compressed air system does not exceed the maximum allowable pressure of the fastener driving tool. Set the air pressure initially to the lower value of the recommended allowable pressure.

- Do not attempt to keep the trigger contact element depressed with tape or wire. Death or serious injury may occur.
- Always check contact element as instructed in this manual. Nails may be driven accidentally if the safety mechanism is not working correctly.

SAVE THESE INSTRUCTIONS.

INSTALLATION

Selecting compressor (Fig. 2)

- Select a compressor that has ample pressure and air output to assure cost-efficient operation. The graph shows the relation between nailing frequency, applicable pressure and compressor air output. Thus, for example, if nailing takes place at a rate of approximately 60 times per minute at a compression of 1.76 MPa (17.6 bar), a compressor with an air output over 45 L/min is required. Pressure regulators must be used to limit air pressure to the rated pressure of the tool where air supply pressure exceeds the tool's rated pressure. Failure to do so may result in serious injury to tool operator or persons in the vicinity.

Selecting air hose

WARNING:

- Use a high pressure resistant air hose. The air pressure used for this nailer is higher than that for other general finishing nailers. (Fig. 3)
- Use an air hose as large and as short as possible to assure continuous, efficient nailing operation.

CAUTION:

- Low air output of the compressor, or a long or smaller diameter air hose in relation to the nailing frequency may cause a decrease in the driving capability of the tool.

Lubrication (Fig. 4)

To insure maximum performance, install an air set (oiler, regulator, air filter) as close as possible to the tool. Adjust the oiler so that one drop of oil will be provided for every 50 nails.

When an air set is not used, oil the tool with pneumatic tool oil by placing 2 (two) or 3 (three) drops into the air fitting. This should be done before and after use. For proper lubrication, the tool must be fired a couple of times after pneumatic tool oil is introduced. (Fig. 5)

FUNCTIONAL DESCRIPTION

CAUTION:

- Always lock the trigger and disconnect the hose before adjusting or checking function on the tool.

Checking before operation

WARNING:


- Never use the nailer when the safety elements are not in working order. Using it in that condition may cause a personal injuries and damage.



This nailer does not fire nails without activating both the trigger and the safety elements. Before nailing, check the nailer that the safety systems is in working order by following the procedure shown below. (Fig. 6)

1. Make sure that nails are not loaded on the tool before operation.
2. Connect the air hose to the tool.
3. Set the lock lever in the released position.
4. Pull the slide door of the magazine toward yourself.
5. Pull only the trigger.
6. Release the finger from trigger and place the safety element against the workpiece.
7. Bring the safety element off the workpiece, pull the trigger and then place the safety element against the workpiece.
8. If the nailer works between 5 - 7, the safety elements are not in working order. (Fig. 7 & 8)

Using the trigger lock

The tool has trigger lock to avoid accidents by an unintentional start. The trigger lock makes the trigger unmovable and let the tool cause no firing.

To lock the trigger, set the lock lever in the "LOCK " position.

Before nailing, set the lock lever in the "FREE " position. When not in use, always set it in the "LOCK " position and disconnect the hose from the tool. (Fig. 9 & 10)

Adjusting depth of nailing

CAUTION:

- Always lock the trigger and disconnect the hose before adjusting the depth of nailing. (Fig. 11 & 12)

To adjust the depth of nailing, turn the adjuster. The depth of nailing is the deepest when the adjuster is turned fully in the A direction shown in the figure. It will become shallower as the adjuster is turned in the B direction.

Hook (Fig. 13)

CAUTION:

- Always lock the trigger and disconnect the hose before changing the hook installation position and using the hook.
- Never hook the tool at high location, on waist belt or potentially unstable surface.

The hook is convenient for hanging the tool temporarily.

The hook can be installed on either side of the tool.

When changing the installation position, remove the screw from the hook. Place the hook on the desired position and secure it with screw.

ASSEMBLY

CAUTION:

- Always lock the trigger and disconnect the hose before carrying out any work on the tool.
- Load the same kind, size and uniform length of nails when loading nails in the magazine.

Loading nailer

CAUTION:

- Always lock the trigger and disconnect the hose before loading the nailer. (Fig. 14)

Press the lever and open the sliding door of the magazine by pulling it toward yourself with the lever pressed.

(Fig. 15)

Align the tip of nails with the grooves at the bottom of the magazine and push the whole part of nails toward the firing opening. (Fig. 16)

Close the slide door firmly.

Close the sliding door.

Nose adapter

CAUTION:

Always lock the trigger and disconnect the hose before loading the nailer. (Fig. 17)

To prevent the surface of workpiece from being scratched or damaged, use the nose adapter. Before attaching the nose adapter, remove two screws with the hex wrench that are securing the front driver guide.

Attach the nose adapter so that its protrusion fit into the groove in the contact element. (Fig. 18)

Store the nose adapter in place when not in use. The place for storage is at the back of the slide door.

Open the slide door slightly and set the nose adapter onto the holder with the slide door slightly opened, and then close the slide door. Total two nose adapters can be stored. (Fig. 19)

To take the nose adapter out of the holder easily, push it out using a hex wrench from back of the slide door.

Connecting air hose

CAUTION:

- When connecting air hose, never place a finger on the trigger.

Lock the trigger and slip the air socket of the air hose onto the air fitting on the nailer. Be sure that the air socket locks firmly into position when installed onto the air fitting. A hose coupling must be installed on or near the tool in such a way that the pressure reservoir will discharge at the time the air supply coupling is disconnected.

OPERATION

CAUTION:

- Always be sure to first place the contact element against the workpiece before pulling the trigger. (Fig. 20)

To drive a nail, set the lock lever in the "FREE ⇐" position.

Place the contact element against the workpiece and then pull the trigger. (Fig. 21)

Anti dry fire mechanism

This tool is equipped with an anti dry fire mechanism. When there are a undepressed position to prevent the tool from being activated. Load more nails to resume operation.

Jammed nailer

CAUTION:

- Always lock the trigger, disconnect the hose and remove the nails from the magazine before cleaning a jam. (Fig. 22)

Open the slide door and remove nails from the magazine. Press the short top end of the hex wrench and take it out from the holder. (Fig. 23)

Remove two screws with the hex wrench that are securing the front driver guide.

Take the jammed nails from the nail guide groove that has appeared.

When it is difficult to take out the jammed nails, further remove two screws with the hex wrench that are securing the rear driver guide. Then take them out.

Nails (Fig. 24)

Handle nail coils and their box carefully. If the nail coils have been handled roughly, they may be out of shape or their connector breaks, causing poor nail feed.

Avoid storing nails in a very humid or hot place or place exposed to direct sunlight. (Fig. 25)

MAINTENANCE

CAUTION:

- Always lock the trigger and disconnect the hose before attempting to perform inspection or maintenance.

Maintenance of nailer (Fig. 26)

Always check the tool for its overall condition and loose screws before operation. Tighten as required. (Fig. 27)

With tool disconnected, make daily inspection to assure free movement of the contact element and trigger. Do not use tool if the contact element or trigger sticks or binds.

Draining the tool (Fig. 28)

Disconnect the hose from the tool. Place the tool so that the air fitting faces down to the floor. Drain as much as possible.

Cleaning of tool

Blow off dust by using an air duster.

Cap (Fig. 29)

When not in use, lock the trigger and disconnect the hose. Then cap the air fitting port. (Fig. 30)

When the tool is not to be used for an extended period of time, lubricate the tool using pneumatic tool oil and store the tool in a safe place. Avoid exposure to direct sunlight and/or humid or hot environment. (Fig. 31)

Maintenance of compressor, air set and air hose (Fig. 32 & 33)

After operation, always drain the compressor tank and the air filter. If moisture is allowed to enter the tool, it may result in poor performance and possible tool failure.

Check regularly to see if there is sufficient pneumatic oil in the oiler of the air set. Failure to maintain sufficient lubrication will cause O-rings to wear quickly. (Fig. 34)

Keep the air hose away from heat (over 60°C, over 140°F), away from chemicals (thinner, strong acids or alkalis). Also, route the hose away from obstacles which it may become dangerously caught on during operation.

Hoses must also be directed away from sharp edges and areas which may lead to damage or abrasion to the hose.

(Fig. 35)

To maintain product SAFETY and RELIABILITY, repairs, any other maintenance and adjustment should be performed by Makita Authorized Service Centers, always using Makita replacement parts.

ACCESSORIES

CAUTION:

- These accessories or attachments are recommended for use with your Makita tool specified in this manual. The use of any other accessories or attachments might present a risk of injury to persons. Only use accessory or attachment for its stated purpose.

If you need any assistance for more details regarding these accessories, ask your local Makita Service Center.

- Nails
- Air hoses
- Safety goggles

For European countries only

ENG045-2

Noise and Vibration

The typical A-weighted noise levels are
sound pressure level: 74 dB (A)
sound power level: 87 dB (A).

Wear ear protection

The typical weighted root mean square acceleration value is not more than 2.5 m/s^2
Uncertainty (K): 1.5 m/s^2

These values have been obtained according to EN792.

EC-DECLARATION OF CONFORMITY

ENH013-5

We declare under our sole responsibility that this product is in compliance with the following standards of standardized documents; EN792 in accordance with Council Directives, 98/37/EC.

CE 2008



Tomoyasu Kato
Director

Responsible Manufacturer:

Makita Corporation

3-11-8, Sumiyoshi-cho, Anjo, Aichi, JAPAN

Authorized Representative in Europe:

Makita International Europe Ltd.

Michigan Drive, Tongwell, Milton Keynes, Bucks MK15
8JD, ENGLAND

Descriptif

- | | | |
|---|--|----------------------------------|
| 1. Lunettes de sécurité | 14. Levier | 27. Porte-outil |
| 2. Visière | 15. Porte coulissante | 28. Clé hexagonale |
| 3. Sortie d'air du compresseur par minute | 16. Magasin | 29. Guide d'entraînement arrière |
| 4. Fréquence de clouage (clous/min.) | 17. Clou | 30. Vis |
| 5. Position de verrouillage | 18. Rainure pour la porte coulissante | 31. Humide |
| 6. Position ouverte | 19. Rainures dans la partie inférieure du magasin | 32. Très chaud |
| 7. Bouton de sécurité | 20. Ouverture de sortie des clous | 33. Coiffe |
| 8. Gâchette | 21. Guide d'entraînement avant | 34. Robinet de vidange |
| 9. Dispositif de contact | 22. Adaptateur de bec | 35. Filtre à air |
| 10. Bague de réglage | 23. Partie saillante | 36. Huileur |
| 11. Trop profond | 24. Porte-outil | 37. Huile pour outil pneumatique |
| 12. Encastré | 25. Adaptateur de bec | 38. Solvant |
| 13. Trop peu profond | 26. Placez tout d'abord le dispositif de contact contre la pièce à travailler. | 39. Poêle |

SPÉCIFICATIONS

| | |
|------------------------|----------------------------------|
| Modèle | AF550H |
| Pression d'air | 0,98 à 2,26 MPa (9,8 à 22,6 bar) |
| Longueur de clou | 15 à 55 mm |
| Capacité de clouage | 100 clous |
| Dimensions (L X H X P) | 228 mm x 61 mm x 235 mm |
| Diamètre min. du tuyau | 5,0 mm ou plus |
| Poids net | 1,2 kg |

- Étant donné l'évolution constante de notre programme de recherche et de développement, les spécifications contenues dans ce manuel sont sujettes à des modifications sans préavis.
- Remarque : Les spécifications peuvent varier d'un pays à l'autre.

Symboles

END106-2

Les symboles utilisés pour l'outil sont indiqués ci-dessous. Assurez-vous d'avoir bien compris leur signification avant d'utiliser l'outil.



..... Reportez-vous au manuel d'instructions.



..... Portez des lunettes de sécurité.



..... N'utilisez pas l'outil sur un échafaudage ou une échelle.

- Pour votre propre sécurité et pour assurer le bon fonctionnement et la maintenance de l'outil, veuillez lire ce manuel d'instructions avant d'utiliser l'outil.
- Portez toujours des lunettes de sécurité pour protéger vos yeux du contact de la poussière ou d'un clou.
AVERTISSEMENT :
 L'employeur a la responsabilité d'imposer le port d'un dispositif de protection des yeux aux utilisateurs de l'outil et à toute personne présente dans la zone de travail.
- Pour l'Australie et la Nouvelle-Zélande uniquement
 Portez toujours des lunettes de sécurité et une visière pour protéger vos yeux du contact de la poussière ou d'un clou. Les lunettes de sécurité et la visière doivent être conformes aux exigences de AS/NZS 1336.
AVERTISSEMENT :
 L'employeur a la responsabilité d'imposer le port d'un dispositif de protection des yeux aux utilisateurs de l'outil et à toute personne présente dans la zone de travail. **(Fig. 1)**
- Portez une protection d'oreilles pour protéger ces dernières contre le bruit de l'échappement et portez un casque de sécurité. Les vêtements portés doivent être légers et ne doivent pas être amples. Veuillez boutonner ou rouler vos manches. Ne portez pas de cravate.
- Il est dangereux de travailler trop vite ou d'appliquer une charge de travail excessive à l'outil.
 Manipulez l'outil avec précaution. N'utilisez pas l'outil si

CONSIGNES DE SÉCURITÉ IMPORTANTES

ENB110-1

AVERTISSEMENT : LORS DE L'UTILISATION DE CET OUTIL, VOUS DEVEZ TOUJOURS PRENDRE DES PRÉCAUTIONS ÉLÉMENTAIRES EN MATIÈRE DE SÉCURITÉ POUR RÉDUIRE LES RISQUES DE BLESSURE. CES PRÉCAUTIONS COMPRENNENT LES SUIVANTES :

LISEZ TOUTES LES INSTRUCTIONS.

- vous avez consommé de l'alcool, une drogue ou des médicaments, etc.
- Conseils généraux pour l'utilisation des outils :
 - (1) Gardez toujours à l'esprit que l'outil contient des clous.
 - (2) L'outil ne doit jamais être pointé vers vous-même ou vers une autre personne, qu'il contienne ou non des clous.
 - (3) Ne mettez pas l'outil en marche avant qu'il ne soit fermement placé sur la pièce à travailler.
 - (4) Respectez votre outil en tant qu'instrument de travail.
 - (5) Évitez tout chahut.
 - (6) L'outil ne doit jamais être saisi ou transporté en posant un doigt sur la gâchette.
 - (7) Ne mettez jamais de clous dans l'outil alors que l'une de ses commandes est activée.
 - (8) Ne branchez jamais l'outil sur une source d'alimentation autre que celle spécifiée dans les instructions d'utilisation/de sécurité qui l'accompagnent.
 - Tout outil défectueux ne doit pas être utilisé.
 - Des étincelles s'échappent parfois de l'outil pendant son utilisation. N'utilisez pas l'outil près de substances ou matériaux volatiles ou inflammables tels que l'essence, le diluant, la peinture, le gaz, les adhésifs, etc. Ils risqueraient de prendre feu, d'exploser et de causer une blessure grave.
 - L'aire de travail doit être suffisamment éclairée pour assurer la sécurité du travail. L'aire de travail doit être maintenue propre et exempte de déchets. Veillez particulièrement à maintenir une bonne assise et une bonne position d'équilibre.
 - Seules les personnes qui participent au travail doivent pénétrer dans la zone de travail. Les enfants, tout particulièrement, doivent être maintenus à l'écart en tout temps.
 - Il se peut que des réglementations locales s'appliquent concernant les niveaux de bruit permis. Veuillez les respecter. Dans certains cas, des volets doivent être installés pour réduire le bruit.
 - Ne jouez pas avec le dispositif de contact : il prévient des décharges accidentelles, donc il doit être gardé activé et ne pas être désactivé. Il est également très dangereux de fixer la gâchette en position de marche. Il ne faut jamais essayer d'immobiliser la gâchette.
 - N'utilisez jamais un outil dont une des commandes est inutilisable, déconnectée, modifiée ou ne fonctionne pas correctement.
 - Utilisez l'outil avec la pression d'air spécifiée de 0,98 à 2,26 MPa (9,8 à 22,6 bar) par mesure de sécurité et pour prolonger la durée de service de l'outil. Ne dépassez pas la pression max. de fonctionnement recommandée, 2,26 MPa (22,6 bar). L'outil ne doit pas être raccordé à une source dont la pression peut dépasser 3,39 MPa (33,9 bar).
 - Assurez-vous que la pression fournie par le système d'air comprimé ne dépasse pas la pression permise maximale de la cloueuse. Réglez d'abord la pression d'air sur la plus basse valeur de pression permise recommandée (voir SPÉCIFICATIONS).
 - Cet outil doit être exclusivement utilisé avec de l'air comprimé. L'utilisation d'une bouteille de gaz (dioxyde de carbone, oxygène, nitrogène, hydrogène, air, etc.) ou de gaz combustible (hydrogène, propane, acétylène, etc.) comme source d'alimentation de cet outil entraînera une explosion et risque de causer une blessure grave.
 - Avant d'utiliser l'outil, assurez-vous qu'il est en bon état et qu'aucune de ses vis n'est desserrée. Le cas échéant, serrez les vis.
 - Assurez-vous que tous les dispositifs de sécurité sont en état de fonctionner avant d'utiliser l'outil. Il ne faut pas que l'outil s'active lorsque vous appuyez uniquement sur la gâchette ou appuyez simplement le dispositif de contact contre le bois. Il ne doit s'activer que lorsque ces deux actions sont exécutées. Testez pour un fonctionnement défectueux possible avec des clous non chargés et le poussoir en position pleinement tiré.
 - Assurez-vous que la gâchette est bloquée lorsque le bouton de sécurité est réglé en position LOCK.
 - Pour éviter tout risque de choc électrique, de fuite de gaz, d'explosion, etc., provoqué par le contact avec des fils dénudés, des conduites ou des tuyaux de gaz, vérifiez le mur ou le plafond, le plancher, le toit, etc.
 - N'utilisez que les clous spécifiés dans ce manuel. L'outil risque de mal fonctionner si vous utilisez tout autre type de clou.
 - N'utilisez jamais les cloueuses qui portent le symbole « Ne pas utiliser sur des échafaudages ou échelles » pour des travaux spécifiques, comme par exemple :
 - lorsque le changement de la position de clouage implique l'utilisation d'un échafaudage, d'un escalier ou d'une échelle, par ex. pour clouer des lattes de toit ;
 - la fermeture de boîtes ou de caisses ;
 - l'installation de dispositifs de sécurité pour le transport, comme par exemple sur des véhicules ou des wagons.
 - Seules les personnes ayant pris connaissance du fonctionnement de l'outil doivent être autorisées à l'utiliser.
 - Avant de procéder au clouage, assurez-vous que personne ne se trouve près de vous. N'essayez jamais de clouer une pièce en même temps des côtés intérieur et extérieur. Cela est très dangereux, puisque les clous risquent alors de défoncer la pièce et/ou d'être projetés.
 - Regardez où vous posez les pieds et assurez-vous d'un bon équilibre pendant l'utilisation de l'outil. Assurez-vous qu'il n'y a personne au-dessous de vous lorsque vous travaillez dans un endroit élevé, et fixez le tuyau d'air de sorte qu'il ne risque pas de se détacher s'il est secoué ou s'il se coince.
 - Sur les toits et autres endroits élevés, clouez en vous déplaçant vers l'avant. Vous risquez fortement de perdre pied si vous clouez en vous déplaçant à reculons. Lorsque vous clouez sur une surface verticale, faites-le du haut vers le bas. De cette façon le travail de clouage sera moins exigeant physiquement.
 - Le clou risque de se plier ou l'outil de se bloquer si vous clouez par inadvertance dans un nœud ou sur un autre clou. Le clou risque alors d'être projeté et de frapper quelqu'un, ou bien l'outil lui-même risque de réagir de manière dangereuse. Choisissez l'emplacement des clous avec soin.

- N'abandonnez pas pour une période prolongée un outil chargé ou un compresseur d'air sous pression exposé au soleil à l'extérieur. Assurez-vous de toujours déposer l'outil là où la poussière, le sable, les copeaux et corps étrangers ne risquent pas d'y pénétrer.
- Ne pointez jamais la sortie d'éjection vers une personne se trouvant à proximité. Gardez les mains et les pieds à l'écart de la zone de la sortie d'éjection.
- Pour transporter l'outil ou le donner à quelqu'un alors que le tuyau d'air est raccordé, ne posez pas le doigt sur la gâchette. Le déclenchement accidentel de l'outil peut être extrêmement dangereux.
- Manipulez l'outil prudemment, car la pression élevée à l'intérieur de l'outil représente un danger si une fissure est provoquée par une manipulation brusque (si vous échappez ou heurtez l'outil). Ne tentez jamais de tailler ou graver une inscription sur l'outil.
- Cessez immédiatement le clouage si vous notez une anomalie ou un fonctionnement inhabituel de l'outil.
- Déconnectez toujours le tuyau d'air et retirez tous les clous dans les cas suivants :
 1. Lorsque l'outil est laissé sans surveillance.
 2. Avant d'effectuer tout travail de maintenance ou de réparation sur l'outil.
 3. Avant de réparer un blocage.
 4. Avant de déplacer l'outil dans un autre lieu.
- Procédez au nettoyage et à la maintenance de l'outil une fois le travail terminé. Maintenez l'outil en excellente condition. Lubrifiez les pièces mobiles pour éviter qu'elles ne rouillent et pour limiter l'usure entraînée par la friction. Retirez toute poussière déposée sur les pièces.
- Lorsque vous n'utilisez pas l'outil, verrouillez toujours la gâchette en tournant le bouton de sécurité en position LOCK.
- Ne modifiez pas l'outil sans l'autorisation de Makita.
- Confiez régulièrement l'outil à un centre de service après-vente agréé Makita pour le faire inspecter.
- Pour maintenir la SÉCURITÉ et la FIABILITÉ de l'outil, sa maintenance et sa réparation doivent être effectuées dans un centre de service après-vente agréé Makita, exclusivement avec des pièces de rechange Makita.
- Utilisez exclusivement l'huile pour outil pneumatique spécifiée dans ce manuel.
- Ne connectez jamais l'outil à une conduite d'air comprimé sur laquelle la pression permise maximale de l'outil ne peut pas être dépassée de 10 %. Assurez-vous que la pression fournie par le système d'air comprimé ne dépasse pas la pression permise maximale de la cloueuse. Réglez d'abord la pression d'air sur la plus basse valeur de pression permise recommandée.
- N'essayez pas de garder le dispositif de contact de la gâchette enfoncé à l'aide de ruban ou de fil. Il y a risque de décès ou de blessure grave.
- Vérifiez toujours le dispositif de contact en suivant les instructions du présent manuel. Des clous risquent d'être éjectés accidentellement si le mécanisme de sécurité ne fonctionne pas correctement.

CONSERVEZ CES INSTRUCTIONS.

INSTALLATION

Sélection du compresseur (Fig. 2)

- Sélectionnez un compresseur dont la pression et la sortie d'air sont suffisantes pour assurer un bon rapport coût-rendement lors de l'utilisation. Le graphique montre la relation entre la fréquence de clouage, la pression applicable et la sortie d'air du compresseur. Ainsi, par exemple, si le clouage s'effectue à un taux d'environ 60 clous par minute avec une compression de 1,76 MPa (17,6 bar), il faudra un compresseur dont la sortie d'air est supérieure à 45 L/min. Des régulateurs de pression doivent être utilisés pour limiter la pression d'air à la pression nominale de l'outil quand l'alimentation de la pression d'air excède la pression nominale de l'outil. Autrement il y a risque de blessure pour l'utilisateur ou les personnes se trouvant à proximité.

Sélection du tuyau d'air

AVERTISSEMENT :

- Utilisez un tuyau d'air résistant aux pressions élevées. La pression d'air utilisée pour cette cloueuse est supérieure à celle d'autres cloueuses de finition générales. (Fig. 3)
- Utilisez un tuyau d'air aussi gros et court que possible pour assurer un clouage continu et efficace.

ATTENTION :

- La capacité d'entraînement de l'outil risque de diminuer si la sortie d'air du compresseur est faible ou si le diamètre du tuyau d'air est trop grand ou trop petit par rapport à la fréquence de clouage de l'outil.

Lubrification (Fig. 4)

Pour assurer un rendement optimal, installez un dispositif d'air (huileur, régulateur, filtre à air) le plus près possible de l'outil. Réglez le huileur de sorte qu'une goutte d'huile soit fournie tous les 50 clous.

Lorsqu'un dispositif d'air n'est pas utilisé, huilez l'outil avec de l'huile pour outil pneumatique en versant 2 (deux) ou 3 (trois) gouttes dans le raccord à air. Cela doit être fait avant et après l'utilisation. Pour une lubrification adéquate, il faut activer l'outil à quelques reprises après y avoir versé de l'huile à outil pneumatique. (Fig. 5)

DESCRIPTION DU FONCTIONNEMENT

ATTENTION :

- Verrouillez toujours la gâchette et déconnectez le tuyau avant de régler ou de vérifier le fonctionnement de l'outil.

Vérification avant utilisation

AVERTISSEMENT :

- N'utilisez jamais la cloueuse lorsque les dispositifs de sécurité ne fonctionnent pas correctement. Vous risqueriez de provoquer des blessures corporelles et des dommages.

Pour pouvoir tirer des clous, cette cloueuse doit activer la gâchette et les dispositifs de sécurité. Avant de procéder au clouage, vérifiez que les dispositifs de sécurité de la

cloueuse sont en état de fonctionnement en suivant la procédure indiquée ci-dessous. (Fig. 6)

1. Assurez-vous qu'aucun clou n'est chargé dans l'outil avant de le faire fonctionner.
2. Raccordez le tuyau d'air à l'outil.
3. Réglez le bouton de sécurité en position ouverte.
4. Tirez vers vous la porte coulissante du magasin.
5. Tirez uniquement sur la gâchette.
6. Retirez votre doigt de la gâchette et placez le dispositif de sécurité contre la pièce à travailler.
7. Retirez le dispositif de sécurité de la pièce à travailler, tirez sur la gâchette, puis placez le dispositif de sécurité contre la pièce à travailler.
8. Si la cloueuse fonctionne entre 5 et 7, les dispositifs de sécurité ne fonctionnent pas correctement. (Fig. 7 et 8)

Utilisation du verrou de gâchette

L'outil est équipé d'un verrou de gâchette destiné à éviter les accidents en cas de démarrage involontaire. Le verrou de gâchette empêche cette dernière de se déplacer et n'entraîne pas de tir de la part de l'outil. Pour verrouiller la gâchette, réglez le bouton de sécurité en position « LOCK ».

Avant de procéder au clouage, réglez le bouton de sécurité en position « FREE ». Lorsque vous n'utilisez pas l'outil, réglez-le toujours en position « LOCK » et débranchez le tuyau de l'outil. (Fig. 9 et 10)

Réglage de la profondeur de clouage

ATTENTION :

- Verrouillez toujours la gâchette et déconnectez le tuyau avant de régler la profondeur de clouage. (Fig. 11 et 12)

Pour régler la profondeur de clouage, tournez la bague de réglage. La profondeur de clouage est maximale lorsque la bague de réglage est tournée complètement dans le sens A indiqué sur la figure. Elle diminue à mesure que l'on tourne la bague de réglage dans le sens B.

Crochet (Fig. 13)

ATTENTION :

- Verrouillez toujours la gâchette et débranchez le tuyau avant de changer la position d'installation du crochet et d'utiliser le crochet.
- Ne suspendez jamais l'outil dans un endroit élevé, sur une sangle ou sur une surface qui risque d'être instable.

L'outil est équipé d'un crochet pratique qui permet de le suspendre temporairement.

Il s'installe d'un côté comme de l'autre de l'outil.

Lorsque vous changez sa position d'installation, déposez la vis du crochet. Placez le crochet à la position souhaitée et fixez-le avec une vis.

ASSEMBLAGE

ATTENTION :

- Verrouillez toujours la gâchette et déconnectez le tuyau avant d'exécuter tout travail sur l'outil.
- Chargez des clous de même type, de même taille et de longueur uniforme dans le magasin.

Chargement de la cloueuse

ATTENTION :

- Verrouillez toujours la gâchette et déconnectez le tuyau avant de charger la cloueuse. (Fig. 14)
- Appuyez sur le bouton et ouvrez la porte coulissante du magasin en la tirant vers vous tout en maintenant la pression sur le levier. (Fig. 15)
- Alignez la bande de clous sur les rainures au bas du magasin et poussez tous les clous vers l'ouverture d'éjection. (Fig. 16)
- Fermez fermement la porte coulissante.
Fermez la porte coulissante.

Adaptateur de bec

ATTENTION :

Verrouillez toujours la gâchette et déconnectez le tuyau avant de charger la cloueuse. (Fig. 17)

Pour éviter d'érafler ou d'endommager la surface de la pièce à travailler, utilisez l'adaptateur de bec. Avant de fixer l'adaptateur de bec, déposez deux vis de fixation du guide d'entraînement à l'aide de la clé hexagonale. Fixez l'adaptateur de bec de sorte que sa partie saillante s'insère dans la rainure du dispositif de contact. (Fig. 18)

Remettez l'adaptateur de bec en place après l'utilisation. L'adaptateur doit être rangé à l'arrière de la porte coulissante.

Ouvrez légèrement la porte coulissante et réglez l'adaptateur de bec sur le porte-outil tandis que la porte coulissante est légèrement ouverte, puis fermez la porte. Deux adaptateurs de bec peuvent être rangés au total. (Fig. 19)

Pour extraire aisément l'adaptateur de bec du porte-outil, écarter-le à l'aide d'une clé hexagonale depuis l'arrière de la porte coulissante.

Raccordement du tuyau d'air

ATTENTION :

- Lors du raccordement du tuyau d'air, ne placez jamais de doigt sur la gâchette.

Verrouillez la gâchette et glissez la prise d'air du tuyau d'air dans le raccord à air de la cloueuse. Assurez-vous que la prise d'air se verrouille fermement en position une fois installée dans le raccord à air. Un coupleur de tuyau doit être installé sur ou près de l'outil, de sorte que le réservoir de pression se vide lorsque le coupleur d'alimentation en air est déconnecté.

UTILISATION

ATTENTION :

- Veillez toujours à placer tout d'abord le dispositif de contact contre la pièce à travailler avant de tirer sur la gâchette. (Fig. 20)

Pour enfoncer un clou, réglez le bouton de sécurité en position « FREE ».

Placez le dispositif de contact contre la pièce à travailler, puis tirez sur la gâchette. (Fig. 21)

Mécanisme de déclenchement antisaccatif

Cet outil est équipé d'un mécanisme de déclenchement antisaccatif.

Si l'outil possède une position non comprimée pour empêcher qu'il soit activé. Chargez davantage de clous pour terminer l'opération.

Cloueuse bloquée

ATTENTION :

- Verrouillez toujours la gâchette, débranchez le tuyau et retirez les clous du magasin avant de réparer un blocage. (Fig. 22)

Ouvrez la porte coulissante et retirez les clous du magasin.

Appuyez sur l'extrémité supérieure courte de la clé hexagonale et retirez-la du porte-outil. (Fig. 23)

Déposez deux vis de fixation du guide d'entraînement avant à l'aide de la clé hexagonale.

Retirez les clous bloqués dans la rainure du guide de clous.

Si l'extraction des clous bloqués s'avère difficile, retirez deux autres vis de fixation du guide d'entraînement arrière à l'aide de la clé hexagonale. Retirez les clous.

Clous (Fig. 24)

Manipulez les bandes de clous et leur boîte avec soin. Si les bandes de clous sont manipulées brusquement elles risquent de se déformer ou de se détacher, causant une alimentation en clous médiocre.

Évitez de ranger les clous dans un endroit très humide, très chaud ou exposé directement aux rayons du soleil. (Fig. 25)

MAINTENANCE

ATTENTION :

- Verrouillez toujours la gâchette et déconnectez le tuyau d'air de l'outil avant de procéder à l'inspection ou la maintenance.

Maintenance de la cloueuse (Fig. 26)

Avant d'utiliser l'outil, assurez-vous qu'il est en bon état et qu'aucune de ses vis n'est desserrée. Le cas échéant, serrez les vis. (Fig. 27)

Avec l'outil déconnecté, effectuez une inspection quotidienne pour vous assurer que le dispositif de contact et la gâchette se déplacent librement. N'utilisez pas l'outil si le dispositif de contact ou la gâchette se bloque ou se coince.

Vidange de l'outil (Fig. 28)

Déconnectez le tuyau de l'outil. Placez l'outil de sorte que le raccord à air soit orienté vers le sol. Purgez-le au maximum.

Nettoyage de l'outil

Évacuez la poussière à l'aide d'un souffleur d'air.

Coiffe (Fig. 29)

Lorsque vous n'utilisez pas l'outil, verrouillez la gâchette et débranchez le tuyau. Ensuite, bouchez le port d'arrivée d'air. (Fig. 30)

Si l'outil doit demeurer inutilisé pour une période prolongée, lubrifiez-le avec de l'huile pour outil pneumatique et rangez-le dans un endroit sûr. Évitez de l'exposer directement aux rayons du soleil et/ou à un environnement humide ou chaud. (Fig. 31)

Maintenance du compresseur, du dispositif d'air et du tuyau d'air (Fig. 32 et 33)

Après l'utilisation, vidangez toujours le réservoir du compresseur et le filtre à air. Si de l'humidité pénètre dans l'outil, elle risque de causer un rendement médiocre, voire une panne de l'outil.

Vérifiez régulièrement qu'il y a assez d'huile pour l'outil pneumatique dans le huileur du dispositif d'air. Les joints toriques s'useront rapidement en cas de lubrification insuffisante. (Fig. 34)

Gardez le tuyau d'air à l'écart de la chaleur (plus de 60°C ou 140°F) et des produits chimiques (diluants, acides puissants ou alcalis). Faites courir le tuyau à l'écart de tout obstacle sur lequel il risquerait d'engranger de se coincer pendant l'utilisation.

Les tuyaux doivent être placés à l'écart des bords tranchants et des zones qui peuvent entraîner des dommages ou de l'abrasion sur le tuyau. (Fig. 35) Pour maintenir la SÉCURITÉ et la FIABILITÉ du produit, les réparations et tout autre travail de maintenance ou de réglage doivent être effectués dans un centre de service Makita agréé exclusivement avec des pièces de rechange Makita.

ACCESSOIRES

ATTENTION :

- Ces accessoires ou pièces complémentaires sont recommandés pour l'utilisation avec l'outil Makita spécifié dans ce manuel. L'utilisation de tout autre accessoire ou pièce complémentaire comporte un risque de blessures. Utilisez uniquement l'accessoire ou la pièce complémentaire dans le but spécifié.

Pour obtenir plus de détails sur ces accessoires, contactez un Centre de service après-vente local Makita.

- Clous
- Tuyaux d'air
- Lunettes de sécurité

Pour l'Europe uniquement

ENG045-2

Bruit et vibration

Les niveaux de bruit pondéré A typiques sont les suivants

niveau de pression sonore: 74 dB (A)

niveau de puissance sonore: 87 dB (A).

Portez des protections d'oreilles

La valeur d'accélération quadratique pondérée typique ne dépasse pas $2,5 \text{ m/s}^2$

Incertitude (K) : $1,5 \text{ m/s}^2$

Ces valeurs ont été obtenues selon EN792.

DÉCLARATION DE CONFORMITÉ CE

ENH013-5

Nous déclarons, sous notre entière responsabilité, que ce

produit répond aux normes suivantes de documents

normalisés : EN792 conformément aux Directives du

Conseil 98/37/CE.

CE 2008



Tomoyasu Kato

Directeur

Fabricant responsable :

Makita Corporation

3-11-8, Sumiyoshi-cho, Anjo, Aichi, JAPON

Représentant agréé en Europe :

Makita International Europe Ltd.

Michigan Drive, Tongwell, Milton Keynes, Bucks MK15

8JD, ANGLETERRE

DEUTSCH

Erklärung der Gesamtdarstellung

- | | | |
|---------------------------------------|---|----------------------------|
| 1. Schutzbrille | 14. Hebel | 28. Inbusschlüssel |
| 2. Gesichtsschutz | 15. Schiebeklappe | 29. Hintere Führungsplatte |
| 3. Kompressor-Luftleistung pro Minute | 16. Magazin | 30. Schrauben |
| 4. Nagelfrequenz (Auslösungen/Minute) | 17. Nagel | 31. Feuchte |
| 5. Position "Verriegelt" | 18. Nut für die Schiebeklappe | 32. Hitze |
| 6. Position "Freigegeben" | 19. Nuten am Boden des Magazins | 33. Kappe |
| 7. Verriegelungshebel | 20. Öffnung für Nagelauswurf | 34. Ablasshahn |
| 8. Auslöser | 21. Vordere Führungsplatte | 35. Luftfilter |
| 9. Kontaktfuß | 22. Adapternase | 36. Öl |
| 10. Einsteller | 23. Vorsprung | 37. Druckluftöl |
| 11. zu tief | 24. Halter | 38. Verdünnungsmittel |
| 12. Bündig | 25. Adapternase | 39. Kocher |
| 13. zu hoch | 26. Setzen Sie zuerst den Kontaktfuß auf das Werkstück auf. | |
| | 27. Halter | |

TECHNISCHE DATEN

| | |
|--------------------------|----------------------------------|
| Modell | AF550H |
| Luftdruck | 0,98 - 2,26 MPa (9,8 - 22,6 bar) |
| Nagellänge | 15 mm - 55 mm |
| Max. Anzahl Nägel | 100 Stk. |
| Abmessungen (L x H x B) | 228 mm X 61 mm X 235 mm |
| Min. Schlauchdurchmesser | 5,0 mm |
| Gewicht netto | 1,2 kg |

- Aufgrund unseres Programms zur beständigen Forschung und Entwicklung können sich die in diesem Dokument angegebenen Daten ohne Ankündigung ändern.
- Hinweis: Die Technischen Daten können in den einzelnen Ländern abweichen.

Symbole

END106-2

Im Folgenden sind die im Zusammenhang mit dem Werkzeug verwendeten Symbole für aufgeführt. Machen Sie sich unbedingt die Bedeutung dieser Symbole klar, bevor Sie mit dem Werkzeug arbeiten.



..... Lesen Sie die Bedienungsanleitung.



..... Tragen Sie eine Schutzbrille.



..... Werkzeug nicht auf Gerüsten oder Leitern verwenden!

WICHTIGE SICHERHEITSREGELN

ENB110-1-1

WARNUNG: ZUR VERMEIDUNG VON VERLETZUNGEN SIND BEI DER BENUTZUNG DIESES WERKZEUGS DIE ALLGEMEINEN REGELN DES ARBEITSSCHUTZES UND INSBESONDERE DIE FOLGENDEN ANWEISUNGEN EINZUHALTEN:

LESEN SIE DIESE ANLEITUNG VOLLSTÄNDIG DURCH!

- Um Ihre persönliche Sicherheit, sachgerechten Betrieb und ordnungsgemäße Wartung des Werkzeugs zu gewährleisten, lesen Sie vor der Benutzung des Werkzeugs diese Bedienungsanleitung vollständig durch.
- Tragen Sie zum Schutz Ihrer Augen vor Staub und Verletzungen durch Nägel stets eine Schutzbrille.
WARNUNG:
Das Durchsetzen des Gebrauchs von Schutzbrillen durch die Benutzer des Werkzeugs und durch andere Personen im unmittelbaren Arbeitsbereich liegt in der Verantwortung des Arbeitgebers/Auftraggebers.
- Nur für Australien und Neuseeland: Tragen Sie zum Schutz Ihrer Augen vor Verletzungen durch Staub, Schmutz oder Nägel stets eine Schutzbrille und einen Gesichtsschutz. Die Schutzbrille und der Gesichtsschutz müssen die Anforderungen der folgenden Vorschrift erfüllen: AS/NZS 1336.
WARNUNG:
Das Durchsetzen des Gebrauchs von Augenschutz durch die Benutzer des Werkzeugs und durch andere Personen im unmittelbaren Arbeitsbereich liegt in der Verantwortung des Arbeitgebers/Auftraggebers.
(Abb. 1)
- Tragen Sie einen Gehörschutz, um Ihre Ohren vor dem Auslassgeräusch zu schützen, und tragen Sie darüber

- hinaus einen Kopfschutz. Tragen Sie auch leichte, aber keine weite Kleidung. Ärmel müssen zugeknöpft oder hochgerollt sein. Das Tragen einer Krawatte ist unzulässig.
- Ein überhastetes Ausführen der Arbeit und der Gebrauch des Werkzeugs mit zu hohem Kraftaufwand sind gefährlich.
Gehen Sie mit dem Werkzeug sorgfältig um. Benutzen Sie das Werkzeug nicht, wenn Sie unter Einfluss von Alkohol, Drogen oder dergleichen stehen.
 - Grundsätzliche Richtlinien zur Handhabung des Werkzeugs:
 - (1) Gehen Sie stets davon aus, dass sich Nägel im Werkzeug befinden.
 - (2) Richten Sie das Werkzeug niemals auf sich selbst oder andere Personen, auch dann nicht, wenn sich keine Nägel im Werkzeug befinden.
 - (3) Lösen Sie das Werkzeug erst dann aus, nachdem es fest auf das Werkstück aufgesetzt wurde.
 - (4) Sehen Sie das Werkzeug als Hilfsmittel für Ihre Arbeit an.
 - (5) Kein Unfug!
 - (6) Halten oder tragen Sie das Werkzeug nicht mit dem Finger am Auslöser.
 - (7) Laden Sie das Werkzeug nicht mit Nägeln auf, wenn eines der Auslöseelemente aktiviert ist.
 - (8) Betreiben Sie das Werkzeug ausschließlich mit einer in den Betriebs-/Sicherheitsanweisungen des Werkzeugs vorgegebenen Energiequelle.
 - Ein Werkzeug, das Defekte aufweist, darf nicht verwendet werden.
 - Bei der Benutzung des Werkzeugs kann es gelegentlich zu einem Funkenflug kommen. Benutzen Sie das Werkzeug nicht in der Nähe leicht flüchtiger, brennbarer Substanzen wie Benzin, Verdünner, Lack, Gas, Klebstoff usw., weil sich diese Stoffe entzünden und explodieren können, wodurch es zu schweren Verletzungen kommen kann.
 - Der Arbeitsplatz muss ausreichend beleuchtet sein, um ein sicheres Arbeiten zu gewährleisten. Der Arbeitsplatz muss sauber und aufgeräumt sein. Achten Sie besonders auf festen Stand und auf Gleichgewicht.
 - In der Nähe sollten sich nur die mit der Ausführung der Arbeiten beschäftigten Personen aufhalten. Achten Sie besonders darauf, dass sich keine Kinder in der Nähe befinden.
 - Befolgen Sie etwaige örtliche Lärmschutzvorschriften, halten Sie insbesondere die vorgeschriebenen Grenzen für Geräuschpegel ein. In bestimmten Fällen sollte der Lärmpegel mit Hilfe von Jalousien gedämpft werden.
 - Gehen Sie mit dem Kontaktfuß sorgfältig um: Dieser Fuß verhindert ein versehentliches Auslösen. Daher muss er stets am Werkzeug verbleiben und darf nicht entfernt werden. Auch das Arretieren des Auslösers in Auslösestellung ist sehr gefährlich. Versuchen Sie niemals, den Auslöser zu arretieren. Benutzen Sie das Werkzeug nicht, wenn eines der Bedienelemente des Werkzeugs funktionsunfähig oder mangelhaft ist oder demontiert oder abgeändert wurde.
 - Betreiben Sie das Werkzeug ausschließlich innerhalb des vorgeschriebenen Luftdruckbereichs von 0,98 bis 2,26 MPa (9,8 bis 22,6 bar), um die Sicherheit und eine längere Lebensdauer des Werkzeugs zu gewährleisten. Ein Überschreiten des empfohlenen maximalen Betriebsdrucks von 2,26 MPa (22,6 bar) ist unzulässig. Das Anschließen des Werkzeugs an eine Druckluftquelle, die einen höheren Druck als 3,39 MPa (33,9 bar) erzeugen kann, ist verboten.
 - Stellen Sie sicher, dass der vom Druckluftsystem erzeugte Luftdruck nicht den maximal zulässigen Luftdruck des Naglers überschreitet. Stellen Sie den Luftdruck anfänglich auf die Untergrenze des zulässigen Drucks ein (siehe TECHNISCHE DATEN).
 - Betreiben Sie das Werkzeug ausschließlich mit Druckluft. Bei Verwendung von Flaschengas (Kohlendioxid, Sauerstoff, Stickstoff, Wasserstoff, Pressluft usw.) oder brennbarem Gas (Wasserstoff, Propan, Acetylen usw.) als Treibgas für dieses Werkzeug besteht die Gefahr, dass das Werkzeug explodiert und schwere Verletzungen verursacht.
 - Überprüfen Sie das Werkzeug vor der Benutzung stets auf seinen Allgemeinzustand und auf lockere Schrauben. Ziehen Sie ggf. lockere Schrauben fest.
 - Stellen Sie vor der Benutzung des Werkzeugs sicher, dass alle Sicherheitssysteme in funktionsfähigem Zustand sind. Das Werkzeug darf nicht auslösen, wenn nur der Auslöser betätigt oder nur der Kontaktausleger gegen das Holz gedrückt wird. Es darf nur dann auslösen, wenn beide Aktionen durchgeführt werden. Überprüfen Sie das Werkzeug mit leerem Magazin und voll angezogenem Drücker auf möglichen fehlerhaften Betrieb.
 - Vergewissern Sie sich, dass der Auslöser verriegelt ist, wenn sich der Verriegelungshebel in der Position LOCK (Verriegelt) befindet.
 - Überprüfen Sie Wände, Decken, Fußböden, Dächer und dergleichen sorgfältig auf möglicherweise dort verlegte Elektrokabel, Gasrohre oder sonstige Rohre und Leitungen, um elektrische Schläge, Gaslecks, Explosionen usw. zu vermeiden.
 - Verwenden Sie nur die in dieser Anleitung vorgegebenen Nägel. Bei Verwendung anderer Nägel kann es zu einer Fehlfunktion des Werkzeugs kommen.
 - Benutzen Sie Nagler mit der Aufschrift „Nicht auf Gerüsten, Leitern verwenden“ niemals für bestimmte Arbeiten wie z. B.:
 - wenn für einen Umstieg zwischen den Positionen für das Einbringen eines Nagels Gerüste, Treppen, Leitern oder leiterähnliche Konstruktionen wie z. B. Dachlatten benötigt werden,
 - Verschließen von Kisten oder Verschlägen,
 - Anbringen von Transportsicherungen z. B. an Fahrzeugen oder Eisenbahnwagen.
 - Personen, die nicht entsprechend geschult sind, ist die Benutzung des Werkzeugs ausdrücklich zu untersagen.
 - Stellen Sie vor Beginn der Nagelarbeiten sicher, dass sich keine Personen in der Nähe befinden. Führen Sie Nagelarbeiten niemals gleichzeitig von innen und außen durch. Nägel können durchlagen und/oder herausfliegen und dabei eine große Gefahr darstellen.
 - Achten Sie beim Arbeiten mit dem Werkzeug auf sicheren Stand und Gleichgewicht. Stellen Sie sicher, dass sich bei Arbeiten an hochgelegenen Arbeitsplätzen keine Personen unterhalb Ihres Standorts aufhalten, um Gefahren zu vermeiden, wenn

- der Luftschlauch plötzlich ruckt oder an Hindernissen hängen bleibt.
- Bewegen Sie sich beim Nageln auf Dächern und anderen hochgelegenen Orten in Vorwärtsrichtung. Wenn Sie sich rückwärts bewegen, können Sie leicht den Stand verlieren. Nageln Sie bei Arbeiten an senkrechten Flächen von oben nach unten. Das Ausführen von Nagelarbeiten auf diese Weise ist weniger ermüdend.
 - Wenn Sie versehentlich auf einen anderen Nagel oder einen Knoten im Holz treffen, kann sich der Nagel verbiegen oder im Werkzeug verklemmen. Der Nagel kann herausgeschleudert werden und Personen treffen, oder das Werkzeug selbst kann sich gefährlich verhalten. Setzen Sie die Nägel mit Sorgfalt.
 - Belassen Sie ein mit Nägeln geladenes Werkzeug oder einen Kompressor nicht längere Zeit in der Sonne, wenn diese unter Druck stehen. Achten Sie darauf, dass am Ablageplatz des Werkzeugs keine Fremdkörper wie Staub, Sand, Späne oder sonstige Materialien in das Werkzeug eindringen.
 - Richten Sie die Auswurföffnung nicht auf Personen in der Nähe. Halten Sie Hände und Füße vom Bereich der Auswurföffnung fern.
 - Tragen Sie das Werkzeug bei angeschlossenem Luftschlauch nicht mit dem Finger am Auslöser, und übergeben Sie es in diesem Zustand auch nicht an andere Personen. Ein versehentliches Auslösen kann äußerst gefährlich sein.
 - Gehen Sie mit dem Werkzeug sorgfältig um. Das Werkzeug steht unter hohem Druck, wodurch ein durch grobe Behandlung (Fallenlassen oder Anstoßen) verursachter Riss eine hohe Gefahr darstellt. Bringen Sie niemals Einritzungen oder Gravuren in das Werkzeug ein.
 - Brechen Sie die Nagelarbeiten sofort ab, wenn Sie einen Defekt oder etwas Ungewöhnliches am Werkzeug feststellen.
 - Trennen Sie unter folgenden Gegebenheiten stets den Luftschlauch ab, und entfernen Sie alle Nägel aus dem Werkzeug:
 1. wenn das Werkzeug unbeaufsichtigt verbleibt,
 2. vor dem Ausführen von Reparatur- oder Wartungsarbeiten,
 3. vor dem Beheben einer Nagelblockade,
 4. vor dem Transport des Werkzeugs an einen anderen Ort.
 - Nehmen Sie unmittelbar nach Abschluss der Arbeiten eine Reinigung und Wartung vor. Halten Sie das Werkzeug stets in einwandfreiem Zustand. Schmieren Sie bewegliche Teile, um Rostbildung zu verhindern und Reibungsverschleiß zu minimieren. Säubern Sie alle Teile von Staub.
 - Wenn Sie das Werkzeug nicht benutzen, verriegeln Sie stets den Auslöser, indem Sie den Verriegelungshebel auf die Position LOCK drehen.
 - Nehmen Sie keine Veränderungen am Werkzeug vor, die nicht von Makita genehmigt wurden.
 - Lassen Sie das Werkzeug regelmäßig von autorisierten Makita-Servicecentern überprüfen.
 - Um die SICHERHEIT und die ZUVERLÄSSIGKEIT des Produkts zu gewährleisten, sollten Reparatur- und Wartungsarbeiten ausschließlich von autorisierten Makita-Servicecentern durchgeführt werden, und es

- sollten ausschließlich Original-Ersatzteile von Makita verwendet werden.
- Verwenden Sie ausschließlich das in dieser Anleitung vorgegebene Druckluftwerkzeug-Öl.
- Schließen Sie das Werkzeug niemals an eine Druckluftleitung an, bei welcher der maximal zulässige Luftdruck des Werkzeugs um 10% überschritten werden kann. Stellen Sie sicher, dass der vom Druckluftsystem erzeugte Luftdruck nicht den maximal zulässigen Luftdruck des Naglers überschreitet. Stellen Sie den Luftdruck anfänglich auf den niedrigeren Wert des empfohlenen zulässigen Drucks ein.
- Versuchen Sie niemals, das Kontaktelement des Auslösers mittels Klebeband, Draht o.ä. dauerhaft in gedrückter Stellung zu fixieren. Dies kann zu schweren oder gar tödlichen Verletzungen führen.
- Überprüfen Sie stets den Kontaktfuß entsprechend der Vorgaben in diesem Handbuch. Wenn der Sicherheitsmechanismus nicht ordnungsgemäß funktioniert, können unbeabsichtigt Nägel aus dem Werkzeug geschossen werden.

BEWAHREN SIE DIESE ANLEITUNG SORGFÄLTIG AUF.

INSTALLATION

Auswählen des Kompressors (Abb. 2)

- Wählen Sie einen Kompressor mit ausreichender Luftdruck- und Luftmengenleistung, um einen wirtschaftlichen Betrieb zu gewährleisten. Im Diagramm ist die Beziehung zwischen Nagelfrequenz bei entsprechendem Luftdruck und entsprechender Kompressor-Luftleistung dargestellt. Wenn der Nagelvorgang z. B. mit einer Rate von ca. 60 Auslösungen pro Minute bei einem Druck von 1,76 MPa (17,6 bar) erfolgen soll, wird ein Kompressor mit einer Luftmengenleistung von über 45 Litern pro Minute benötigt. Wenn der Druck der Druckluftquelle den Nenndruck des Werkzeugs überschreitet, muss ein Druckregler verwendet werden, um den Luftdruck auf den Nenndruck des Werkzeugs zu begrenzen. Eine Missachtung dieses Punkts kann zu schweren Verletzungen des Bedieners oder von sich in der Nähe befindenden Personen führen.

Auswahl Luftschlauch

WARNUNG:

- Verwenden Sie einen Hochdruck-Luftschlauch. Für diesen Nagler wird ein höherer Luftdruck als für andere übliche Nagler benötigt. (Abb. 3)
- Verwenden Sie einen möglichst dicken und kurzen Luftschlauch, um einen unterbrechungsfreien und wirkungsvollen Nagelvorgang zu gewährleisten.

VORSICHT:

- Eine zu geringe Luftleistung des Kompressors oder ein Luftschlauch mit einer zu großen Länge oder einem zu kleinen Durchmesser in Bezug auf die Nagelfrequenz kann zu einem Absinken der Eintreibkraft des Werkzeugs führen.

Schmierung (Abb. 4)

Um eine maximale Leistung zu gewährleisten, sollte eine Druckluftarmatur (Öler, Regler, Luftfilter), möglichst nahe am Werkzeug, installiert werden. Stellen Sie den Öler so ein, dass er einen Tropfen Öl für jeweils 50 Nägel abgibt. Wenn keine Druckluftarmatur verwendet wird, ölen Sie das Werkzeug mit Druckluftwerkzeug-Öl, indem Sie 2 (zwei) bis 3 (drei) Tropfen in den Druckluftanschluss geben. Dies sollte vor und nach dem Gebrauch erfolgen. Um eine ordnungsgemäße Schmierung zu erreichen, muss das Werkzeug nach dem Einbringen des Druckluftwerkzeug-Öls mehrere Male ausgelöst werden. (Abb. 5)

FUNKTIONSBESCHREIBUNG

VORSICHT:

- Verriegeln Sie stets den Auslöser und trennen Sie den Schlauch ab, bevor Sie das Werkzeug einstellen oder überprüfen.

Überprüfung vor Benutzung

WARNUNG:


- Verwenden Sie den Nagler niemals, wenn Sicherheitseinrichtungen des Naglers defekt sind. Bei Verwenden eines Naglers mit defekten Sicherheitseinrichtungen kann es zu Verletzungen und/oder Sachschäden kommen.

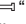

Dieser Nagler stößt nur dann einen Nagel aus, wenn der Auslöser bei entsprechend betätigtem Sicherheitselement gedrückt wird. Überprüfen Sie vor dem Ausführen von Nagelarbeiten anhand des folgenden Verfahrens, ob die Sicherheitssysteme des Naglers ordnungsgemäß funktionieren: (Abb. 6)

1. Stellen Sie sicher, dass sich keine Nägel im Werkzeug befinden.
2. Schließen Sie den Druckluftschlauch an das Werkzeug an.
3. Bringen Sie den Verriegelungshebel in die Freigabeposition.
4. Ziehen Sie die Schiebeklappe des Magazins in Ihre Richtung.
5. Betätigen Sie ausschließlich den Auslöser.
6. Nehmen Sie den Finger vom Auslöser und drücken Sie das Sicherheitselement gegen das Werkstück.
7. Heben Sie das Sicherheitselement vom Werkstück ab, drücken Sie den Auslöser und drücken Sie anschließend das Sicherheitselement bei gedrücktem Auslöser auf das Werkstück.
8. Wenn der Nagler bei einem der Schritte 5 bis 7 einen Nagel ausschießt, sind die Sicherheitseinrichtungen nicht in ordnungsgemäßem Zustand. (Abn. 7 und 8)

Der Verriegelungshebel

Der Auslöser des Werkzeugs kann durch einen Verriegelungshebel verriegelt werden, um Unfälle durch ein unbeabsichtigtes Ausschießen von Nägeln zu vermeiden. Mit dem Verriegelungshebel kann der Auslöser arretiert werden, wodurch ein Ausschießen eines Nagels verhindert wird.

Um den Auslöser zu verriegeln, bringen Sie den Verriegelungshebel in die Position „LOCK“  verriegelt.

Bringen Sie vor Beginn der Nagelarbeiten den Verriegelungshebel in die Position „FREE“  (FREIGEgeben). Bringen Sie nach Beendigung der Arbeiten immer den Verriegelungshebel in die Position „LOCK“  und trennen Sie den Druckluftschlauch vom Werkzeug ab. (Abn. 9 und 10)

Einstellen der Nageltiefe

VORSICHT:

- Verriegeln Sie stets den Auslöser und trennen Sie den Druckluftschlauch ab, bevor Sie die Nageltiefe einstellen. (Abn. 11 und 12)

Um die Nageltiefe einzustellen, drehen Sie den Einsteller. Die größte Nageltiefe ist gegeben, wenn der Einsteller vollständig in Richtung A, wie in der Abbildung dargestellt, gedreht wurde. Durch Drehen des Einstellers in Richtung B wird die Nageltiefe immer geringer.

Haken (Abb. 13)

VORSICHT:

- Verriegeln Sie stets den Auslöser und trennen Sie den Druckluftschlauch ab, bevor Sie den Haken an eine andere Position montieren oder das Werkzeug am Haken aufhängen.
- Haken Sie das Werkzeug niemals an erhöhten Orten, im Gürtel oder an einer instabilen Fläche ein.

Der Haken ist nützlich, wenn Sie das Werkzeug kurzzeitig aufhängen möchten.

Der Haken kann an jeder Seite des Werkzeugs befestigt werden.

Um den Haken auf die andere Seite des Werkzeugs zu montieren, lösen Sie die Schraube des Hakens.

Positionieren Sie den Haken an die gewünschte Position und befestigen Sie den Haken mit Hilfe der Schraube.

MONTAGE

VORSICHT:

- Verriegeln Sie stets den Auslöser und trennen Sie den Schlauch ab, bevor Sie Arbeiten am Werkzeug vornehmen.
- Achten Sie beim Laden von Nägeln in das Magazin darauf, dass Typ, Größe und Länge der Nägel einheitlich sind.

Laden des Naglers

VORSICHT:

- Verriegeln Sie stets den Auslöser und trennen Sie den Druckluftschlauch vom Nagler ab, bevor Sie den Nagler laden. (Abb. 14)

Drücken Sie den Hebel, und öffnen Sie die Schiebeklappe des Magazins, indem Sie den Hebel gedrückt halten und gleichzeitig die Klappe in Ihre Richtung ziehen. (Abb. 15) Setzen Sie die Nagelspitzen in die Rille an der Unterseite des Magazins ein, und drücken Sie den gesamten Nagelbestand in Richtung Ausschießöffnung. (Abb. 16) Verschließen Sie die Schiebeklappe fest. Verriegeln Sie die Schiebeklappe.

Adapternase

VORSICHT:

Verriegeln Sie stets den Auslöser und trennen Sie den Druckluftschlauch vom Nagler ab, bevor Sie den Nagler laden. **(Abb. 17)**

Um Kratzer und Schäden am Werkstück zu vermeiden, bringen Sie die Adapternase am Werkzeug an. Bevor Sie die Adapternase anbringen, entfernen Sie mit Hilfe des Inbusschlüssels die beiden Schrauben zur Befestigung der vorderen Führungsplatte.

Bringen Sie die Adapternase so an, dass der Vorsprung an der Nase in der Nut im Kontaktfuß sitzt. **(Abb. 18)**

Bewahren Sie die Adapternase bei Nichtgebrauch am dafür vorgesehenen Ort auf. Die Adapternase wird an der Rückseite der Schiebeklappe aufbewahrt.

Öffnen Sie die Schiebeklappe etwas, setzen Sie die Adapternase bei etwas geöffneter Schiebeklappe in die Halterung ein und schließen Sie die Schiebeklappe. Es können zwei Adapternasen aufbewahrt werden. **(Abb. 19)**
Entnehmen Sie die Adapternase auf einfache Weise aus der Halterung: drücken Sie die Adapternase mit Hilfe eines Inbusschlüssels aus der Rückseite der Schiebeklappe.

Anschließen des Druckluftschlauchs

VORSICHT:

- Legen Sie beim Anschließen des Druckluftschlauchs niemals einen Finger auf den Auslöser.

Verriegeln Sie den Auslöser und schieben Sie die Anschlussmuffe des Druckluftschlauchs auf den Anschlussnippel des Naglers. Vergewissern Sie sich, dass die Anschlussmuffe einrastet, nachdem sie auf den Anschlussnippel geschoben wurde. Am oder nahe am Werkzeug muss eine Schlauchkupplung installiert werden, über die der noch vorhandene Druck abgelassen werden kann, wenn die Kupplung an der Druckluftquelle abgetrennt wird.

BETRIEB

VORSICHT:

- Achten Sie darauf, dass Sie immer erst den Kontaktfuß gegen das Werkstück drücken, bevor Sie den Auslöser betätigen. **(Abb. 20)**

Bringen Sie vor dem Einbringen eines Nagels den Verriegelungshebel in die Position „FREE ⇐“ (FREIGEHEBEN).

Drücken Sie den Kontaktfuß auf das Werkstück und betätigen Sie anschließend den Auslöser. **(Abb. 21)**

Auslösemechanismus mit Schutzvorrichtung

Dieses Werkzeug verfügt über einen Auslösemechanismus, der ein Auslösen des Werkzeugs verhindert, wenn sich keine Nägel im Magazin befinden. Es kann vorkommen, dass der Auslöser nicht betätigt werden kann, um das Auslösen des ungeladenen Werkzeugs zu verhindern. Laden Sie das Werkzeug mit Nägeln auf, und setzen Sie die Arbeiten fort.

Blockierter Nagler

VORSICHT:

- Verriegeln Sie stets den Auslöser, trennen Sie den Druckluftschlauch vom Nagler ab und entnehmen Sie die Nägel aus dem Magazin, bevor Sie eine Blockierung beheben. **(Abb. 22)**

Öffnen Sie die Schiebeklappe, und entnehmen Sie die Nägel aus dem Magazin.

Drücken Sie auf das kurze obere Ende des Inbusschlüssels und entnehmen Sie den Inbusschlüssel aus der Halterung. **(Abb. 23)**

Entfernen Sie mit Hilfe des Inbusschlüssels die beiden Schrauben zur Befestigung der vorderen Führungsplatte. Die Nagelführungsnut ist nun zugänglich. Entfernen Sie Nägel, die sich in der Nut verklemmt haben, aus der Nut. Wenn die verklemmten Nägel nicht entfernt werden können, entfernen Sie mit Hilfe des Inbusschlüssels die zwei Schrauben, mit denen die hintere Führungsplatte befestigt ist. Entnehmen Sie nun die Nägel.

Nägel (Abb. 24)

Behandeln Sie die Nagelbündel und die Verpackungen sorgfältig. Bei grober Behandlung können sich die Nagelbündel verformen, oder die Verbinder können brechen, wodurch Probleme bei der Zuführung der Nägel auftreten können.

Lagern Sie Nägel nicht an sehr feuchten oder heißen Orten oder an Orten, die direktem Sonnenlicht ausgesetzt sind. **(Abb. 25)**

WARTUNG

VORSICHT:

- Verriegeln Sie immer den Auslöser und trennen Sie stets den Druckluftschlauch ab, bevor Sie Inspektions- oder Wartungsarbeiten durchführen.

Wartung des Naglers (Abb. 26)

Überprüfen Sie das Werkzeug vor der Benutzung stets auf seinen Allgemeinzustand und auf lockere Schrauben. Ziehen Sie ggf. lockere Schrauben fest. **(Abb. 27)**

Nehmen Sie bei abgetrenntem Druckluftschlauch eine tägliche Inspektion vor, um sicherzustellen, dass sich Kontaktfuß und Auslöser ungehindert bewegen. Benutzen Sie das Werkzeug nicht, falls der Kontaktfuß oder der Auslöser klemmt oder blockiert.

Ablassen von Wasser aus dem Werkzeug (Abb. 28)

Trennen Sie den Druckluftschlauch vom Werkzeug ab. Halten Sie das Werkzeug mit dem Druckluftanschluss nach unten. Lassen Sie möglichst alles im Werkzeug vorhandene Wasser aus dem Werkzeug laufen.

Reinigen des Werkzeugs

Entfernen Sie Staub mit Hilfe einer Druckluftdüse.

Kappe (Abb. 29)

Wenn das Werkzeug nicht verwendet wird, verriegeln Sie den Auslöser und trennen Sie den Druckluftschlauch vom Werkzeug. Setzen Sie anschließend eine Kappe auf den Druckluftanschluss auf. **(Abb. 30)**

Wenn das Werkzeug längere Zeit nicht benutzt werden soll, ölen Sie das Werkzeug mit Druckluftwerkzeug-Öl ein, und lagern Sie das Werkzeug an einem sicheren Ort.

Vermeiden Sie Orte, die direktem Sonnenlicht ausgesetzt sind, und feuchte oder heiße Orte. (Abb. 31)

Wartung von Kompressor, Druckluftarmatur und Druckluftschlauch (Abn. 32 und 33)

Nach jedem Betrieb muss das Wasser aus dem Druckluftbehälter und dem Luftfilter des Kompressors abgelassen werden. In das Werkzeug eindringende Feuchtigkeit kann eine Verschlechterung der Leistung und ein mögliches Versagen des Werkzeugs verursachen.

Prüfen Sie regelmäßig, ob im Öl der Druckluftarmatur genügend Druckluftöl vorhanden ist. Eine Vernachlässigung der Schmierung führt zu schnellem Verschleiß der O-Ringe. (Abb. 34)

Halten Sie den Druckluftschlauch von Wärmequellen (über 60°C, über 140 °F) und Chemikalien (Verdüner, starken Säuren oder Laugen) fern. Verlegen Sie den Schlauch so, dass sich der Schlauch nicht an Hindernissen verfangen kann. Wenn dies während des Betriebs geschieht, kann es zu gefährlichen Situationen kommen.

Der Schlauch darf auch nicht mit scharfen Kanten oder Gegenständen in Berührung kommen, die Beschädigungen oder Abrieb am Schlauch verursachen können. (Abb. 35)

Um die SICHERHEIT und die ZUVERLÄSSIGKEIT des Produkts zu gewährleisten, sollten Reparatur- und Wartungsarbeiten ausschließlich von autorisierten Makita-Servicecentern durchgeführt werden, und es sollten ausschließlich Original-Ersatzteile von Makita verwendet werden.

ZUBEHÖR

VORSICHT:

- Für das in diesem Handbuch beschriebene Makita-Werkzeug werden die folgenden Zubehör- und Anbauteile empfohlen. Bei Verwendung anderer Zubehör- und Anbauteile besteht Verletzungsgefahr. Verwenden Sie Zubehör- und Zusatzteile nur für den vorgesehenen Zweck.

Informationen zu diesem Zubehör erhalten Sie bei einem Makita-Servicecenter in Ihrer Nähe.

- Nägel
- Druckluftschläuche
- Schutzbrillen

Nur für europäische Länder Geräusche und Vibrationen

ENG045-2

Die typischen effektiven Geräuschpegel betragen für Schalldruck: 74 dB (A)
Schalleistung: 87 dB (A).

Tragen Sie Gehörschutz.

Der typische effektive Beschleunigungswert beträgt höchstens 2,5 m/s²
Abweichung (K): 1,5 m/s²
Diese Werte wurden entsprechend der Norm EN792 gewonnen.

EU-KONFORMITÄTSERKLÄRUNG

ENH013-5

Wir erklären in alleiniger Verantwortung, dass dieses Produkt den Normen der folgenden Normdokumente genügt: EN792 in Übereinstimmung mit Ratsverordnungen, 98/37/EC.

CE 2008



Tomoyasu Kato
Direktor

Verantwortlicher und ladbarer Hersteller:

Makita Corporation

3-11-8, Sumiyoshi-cho, Anjo, Aichi, JAPAN

Autorisierte Vertretung in Europa:

Makita International Europe Ltd.

Michigan Drive, Tongwell, Milton Keynes, Bucks MK15 8JD, ENGLAND

Spiegazione della vista generale

- | | | |
|---|---|---------------------------------|
| 1. Occhiali di protezione | 15. Sportello scorrevole | 27. Supporto |
| 2. Visiera protettiva | 16. Scomparto | 28. Chiave esagonale |
| 3. Uscita aria compressore al minuto | 17. Chiodi | 29. Guida avvitatore posteriore |
| 4. Frequenza di chiodatura (volte/min.) | 18. Scanalatura per lo sportello scorrevole | 30. Viti |
| 5. Posizione di blocco | 19. Scanalature sulla parte inferiore dello scomparto | 31. Umido |
| 6. Posizione di sblocco | 20. Scarico trucioli dei chiodi | 32. Caldo |
| 7. Levetta di blocco | 21. Guida avvitatore anteriore | 33. Coperchio |
| 8. Grilletto | 22. Adattatore esterno | 34. Rubinetto di scarico |
| 9. Elemento di contatto | 23. Sporgenza | 35. Filtro aria |
| 10. Regolatore | 24. Supporto | 36. Oliatore |
| 11. Troppo in profondità | 25. Adattatore esterno | 37. Olio pneumatico |
| 12. A filo | 26. Posizionare prima l'elemento di contatto contro il pezzo. | 38. Diluente |
| 13. Troppo in superficie | | 39. Stufa |
| 14. Leva | | |

CARATTERISTICHE TECNICHE

| Modello | AF550H |
|------------------------|----------------------------------|
| Pressione aria | 0,98 - 2,26 MPa (9,8 - 22,6 bar) |
| Lunghezza chiodi | 15 mm - 55 mm |
| Capacità chiodi | 100 pz. |
| Dimensioni (L x P x A) | 228 mm x 61 mm x 235 mm |
| Diametro minimo tubo | 5,0 mm o più |
| Peso netto | 1,2 Kg |

- Le caratteristiche tecniche riportate di seguito sono soggette a modifiche senza preavviso in virtù del nostro programma continuo di ricerca e sviluppo.
- Nota: le caratteristiche tecniche possono differire da paese a paese.

Simboli END106-2

Il seguente elenco riporta i simboli utilizzati per questo utensile. È importante comprenderne il significato prima di utilizzare l'utensile.



..... Leggere il manuale di istruzioni.



..... Indossare occhiali di protezione.



..... Non utilizzare su impalcature o scale a pioli.

ISTRUZIONI IMPORTANTI PER LA SICUREZZA ENB110-1

AVVERTENZA: PER RIDURRE IL RISCHIO DI LESIONI PERSONALI, QUANDO SI UTILIZZA QUESTO UTENSILE È NECESSARIO OSSERVARE SEMPRE LE PRECAUZIONI DI BASE PER LA SICUREZZA, COMPRESSE LE PRECAUZIONI SEGUENTI:

LEGGERE TUTTE LE ISTRUZIONI.

- Per la propria sicurezza personale e per il funzionamento e la manutenzione corretti dell'utensile, leggere questo manuale di istruzioni prima di utilizzarlo.

- Portare sempre gli occhiali di protezione per proteggere gli occhi dalla polvere o dai chiodi. **AVVERTENZA:** È responsabilità del datore di lavoro obbligare chi utilizza l'utensile e le persone nelle immediate vicinanze a indossare occhiali di protezione.
- Solo per l'Australia e la Nuova Zelanda Portare sempre gli occhiali di protezione e la visiera per proteggere gli occhi dalla polvere o dai chiodi. Gli occhiali di protezione e la visiera devono essere conformi ai requisiti della legge AS/NZS 1336. **AVVERTENZA:** È responsabilità del datore di lavoro obbligare chi utilizza l'utensile e le persone nelle immediate vicinanze a indossare occhiali di protezione. **(Fig. 1)**
- Indossare paraorecchi per proteggere le orecchie dal rumore di scarico. Indossare anche un casco. Indossare sempre abiti leggeri e aderenti. Le maniche devono essere abbottonate o rimboccate. Non indossare la cravatta
- È pericoloso lavorare con molta fretta o mettere l'utensile sotto sforzo. Maneggiare l'utensile con attenzione. Non usarlo sotto l'influenza di alcol, droghe e sostanze simili.
- Principi generali per l'uso sicuro dell'utensile:
 - (1) Presupporre sempre che l'utensile contenga i chiodi.
 - (2) Non puntare l'utensile su di sé o sugli altri, che contenga o meno i chiodi.

- (3) Non attivare l'utensile se questo non è appoggiato saldamente al pezzo.
- (4) Utilizzare l'utensile come uno strumento di lavoro.
- (5) Non giocare con l'utensile.
- (6) Non tenere o trasportare l'utensile tenendo un dito sul grilletto.
- (7) Non caricare i chiodi nell'utensile quando uno qualsiasi dei controlli di funzionamento è attivato.
- (8) Non far funzionare l'utensile con una fonte di alimentazione diversa da quella specificata nelle istruzioni per l'uso/sicurezza.
- Non utilizzare l'utensile se non funziona correttamente.
 - Quando si usa l'utensile, a volte potrebbero volare delle scintille. Non usare l'utensile vicino a sostanze volatili e infiammabili, quali benzina, solventi, vernici, gas, adesivi, ecc., perché possono accendersi ed esplodere causando lesioni gravi.
 - L'area di lavoro deve essere sufficientemente illuminata per garantire un funzionamento sicuro. L'area di lavoro deve essere pulita e senza rifiuti. Prestare particolare attenzione a mantenere un buon equilibrio e i piedi appoggiati correttamente.
 - Solo gli addetti ai lavori possono avvicinarsi all'area in cui viene utilizzato l'utensile. I bambini devono sempre essere tenuti lontano.
 - Potrebbero esistere delle norme locali sui rumori che vanno rispettate mantenendo il livello del rumore entro i limiti prescritti. In alcuni casi, usare dei ripari per limitare il rumore.
 - Non giocare con l'elemento di contatto: impedisce la scarica accidentale, per cui va mantenuto in posizione e non deve essere rimosso. Anche fissare il grilletto nella posizione ON è molto pericoloso. Non fissare mai il grilletto. Non usare l'utensile se una parte qualsiasi dei suoi controlli non può essere usata, è staccata, modificata o non funziona correttamente.
 - Per garantire la sicurezza e la lunga vita dell'utensile, farlo funzionare con la pressione d'aria specificata compresa tra 0,98 – 2,26 MPa (9,8 – 22,6 bar). Non superare la pressione massima raccomandata di 2,26 MPa (22,6 bar). L'utensile non deve essere collegato a una fonte la cui pressione possa superare 3,39 MPa (33,9 bar).
 - Accertarsi che la pressione fornita al sistema d'aria compressa non superi la pressione massima consentita per la chiodatrice. Regolare inizialmente la pressione dell'aria sul valore più basso della pressione consentita consigliata (vedere le CARATTERISTICHE TECNICHE).
 - L'utensile deve essere usato esclusivamente con aria compressa. Se come fonte di alimentazione dell'utensile si usa una bomboletta di gas (biossido di carbonio, ossigeno, azoto, idrogeno, aria, ecc.) o un gas combustibile (idrogeno, propano, acetilene, ecc.), l'utensile potrebbe esplodere causando lesioni serie.
 - Prima dell'uso, controllare sempre le condizioni generali dell'utensile e l'eventuale presenza di viti allentate. Serrarle, se necessario.
 - Prima dell'uso, accertarsi che tutti i sistemi di sicurezza funzionino correttamente. L'utensile non deve funzionare se si schiaccia soltanto il grilletto o si preme soltanto il braccio di contatto contro il legno. Esso deve funzionare soltanto quando si eseguono entrambe queste operazioni. Per verificare un eventuale funzionamento anomalo, fare una prova senza i chiodi e con l'elemento di spinta completamente tirato.
 - Accertarsi che il grilletto sia bloccato quando la levetta di blocco viene posizionata su LOCK.
 - Controllare con cura le pareti, i soffitti, i pavimenti e i tetti per evitare potenziali scosse elettriche, perdite di gas, esplosioni, ecc., causate dall'aver colpito fili elettrici sotto tensione, tubazioni o tubi del gas.
 - Usare soltanto i chiodi specificati in questo manuale. L'utilizzo di qualsiasi altro tipo di chiodi potrebbe causare il malfunzionamento dell'utensile.
 - Non utilizzare mai chiodatrici marcate con il simbolo "Non usare su impalcature, scale a pioli" per applicazioni specifiche, per esempio:
 - se il cambiamento del posto di chiodatura richiede l'utilizzo di impalcature, scale a pioli, montacarichi o altri materiali di costruzione, per esempio travi di legno;
 - per chiudere scatole o casse di legno.
 - sistemi di sicurezza per il trasporto, per es., su veicoli o vagoni.
 - Non fare usare l'utensile da chi non è competente.
 - Prima della chiodatura, accertarsi che non vi sia nessuno vicino. Non cercare di inchiodare allo stesso tempo da entrambi i lati interno e esterno. I chiodi potrebbero trapassare e/o volare via, con grave pericolo.
 - Quando si utilizza l'utensile, prestare estrema attenzione alla posizione dei piedi, cercando di mantenere sempre l'equilibrio. Quando si lavora in luoghi alti, accertarsi che sotto non vi sia nessuno e fissare il tubo dell'aria per evitare eventuali pericoli nel caso venga spostato all'improvviso o rimanga impigliato.
 - Sui tetti ed altri luoghi alti, inchiodare spostandosi in avanti. È facile perdere l'appoggio dei piedi se si esegue la chiodatura con il peso spostato all'indietro. Per inchiodare una superficie perpendicolare, procedere dall'alto verso il basso. In questo modo le operazioni di chiodatura sono meno faticose.
 - Un chiodo potrebbe storcersi o l'utensile incepparsi se si inchioda per sbaglio su un altro chiodo o su un nodo del legno. Il chiodo potrebbe venire scagliato e colpire qualcuno, o l'utensile stesso potrebbe reagire pericolosamente. Posizionare i chiodi con cura.
 - Non lasciare l'utensile carico o il compressore d'aria sotto pressione per un lungo periodo di tempo al sole. Fare attenzione che polvere, sabbia, trucioli o altre sostanze estranee non entrino nell'utensile nel luogo in cui viene lasciato.
 - Non puntare il foro di espulsione su qualcuno vicino. Tenere le mani e i piedi lontani dall'area del foro di espulsione.
 - Quando si collega il tubo dell'aria, non trasportare l'utensile con il dito sul grilletto o passarlo a qualcuno in questa condizione. L'espulsione accidentale dei chiodi può essere estremamente pericolosa.
 - Maneggiare l'utensile con attenzione perché all'interno è presente un'alta pressione che può essere pericolosa se si causa una crepa maneggiandolo in modo errato (facendolo cadere o se subisce un colpo). Fare attenzione a non intagliare o incidere l'utensile.
 - Arrestare immediatamente la chiodatura se si nota qualcosa di sbagliato o fuori del comune nell'utensile.

- Staccare sempre il tubo dell'aria e rimuovere tutti i chiodi:
 1. Se l'utensile viene lasciato incustodito.
 2. Prima di eseguire un qualsiasi intervento di manutenzione o di riparazione.
 3. Prima di correggere un inceppamento.
 4. Prima di portare l'utensile in un altro luogo.
- Eseguire la pulizia e la manutenzione subito dopo la fine del lavoro. Mantenere l'utensile in ottime condizioni. Lubrificare le parti mobili per evitare che arrugginiscono e minimizzare l'usura causata dagli attriti. Togliere tutta la polvere dalle parti.
- Quando non si usa l'utensile, bloccare sempre il grilletto ruotando la levetta di blocco sulla posizione LOCK.
- Non modificare l'utensile senza l'autorizzazione di Makita.
- Richiedere l'ispezione periodica dell'utensile presso un centro di assistenza Makita autorizzato.
- Per mantenere la SICUREZZA e l'AFFIDABILITÀ del prodotto, le riparazioni e qualsiasi altra operazione di manutenzione devono essere eseguite dai centri di assistenza autorizzati Makita utilizzando sempre parti di ricambio Makita.
- Usare soltanto l'olio pneumatico specificato in questo manuale.
- Non collegare mai l'utensile a una linea d'aria compressa in cui la pressione massima consentita per l'utensile non possa essere superata del 10%. Accertarsi che la pressione fornita al sistema d'aria compressa non superi la pressione massima consentita per la chiodatrice. Regolare inizialmente la pressione dell'aria sul valore più basso della pressione consentita consigliata.
- Non tenere l'elemento di contatto del grilletto premuto con nastro o fili. Ciò potrebbe provocare morte o lesioni gravi.
- Controllare sempre l'elemento di contatto seguendo le istruzioni del presente manuale. Se il meccanismo di sicurezza non funziona correttamente, i chiodi potrebbero essere conficcati involontariamente.

CONSERVARE QUESTE ISTRUZIONI.

INSTALLAZIONE

Selezione del compressore (Fig. 2)

- Per un funzionamento efficiente, selezionare un compressore con una pressione e un'uscita dell'aria ampie. Il grafico mostra il rapporto tra la frequenza di chiodatura, la pressione applicabile e l'uscita d'aria del compressore. Perciò, se ad esempio la chiodatura avviene a una velocità di circa 60 volte al minuto a una compressione di 1,76 MPa (17,6 bar), è necessario un compressore con un'uscita dell'aria di oltre 45 L/min. Per limitare la pressione dell'aria alla pressione nominale dell'utensile se la pressione di alimentazione dell'aria supera la pressione nominale, è necessario usare regolatori di pressione. In caso contrario, sussiste il pericolo di lesioni serie per l'operatore e per chi è vicino.

Selezione del tubo dell'aria

AVVERTENZA:

- Utilizzare un tubo dell'aria resistente all'alta pressione. La pressione dell'aria utilizzata per questa chiodatrice è superiore a quella utilizzata per altre semplici chiodatrici di finitura. (Fig. 3)
- Per garantire un'operazione di chiodatura efficiente e continua, usare un tubo dell'aria quanto più grande e corto possibile.

ATTENZIONE:

- Una bassa uscita dell'aria del compressore o un tubo dell'aria lungo o con un diametro interno più piccolo in rapporto alla frequenza di chiodatura, potrebbero causare una diminuzione delle capacità dell'utensile.

Lubrificazione (Fig. 4)

Per garantire le massime prestazioni, installare un gruppo aria (oliatore, regolatore, filtro aria) quanto più vicino possibile all'utensile. Regolare l'oliatore in modo che venga fornita una goccia d'olio ogni 50 chiodi. Se non si usa un gruppo aria, oliare l'utensile con l'olio pneumatico mettendo 2 o 3 gocce nell'elemento dell'aria. Questo va fatto prima e dopo l'uso. Per la lubrificazione corretta, l'utensile deve essere usato un paio di volte dopo l'introduzione dell'olio pneumatico. (Fig. 5)

DESCRIZIONE FUNZIONALE

ATTENZIONE:

- Bloccare sempre il grilletto e staccare il tubo prima di regolare o di controllare il funzionamento dell'utensile.

Verifiche da effettuare prima dell'utilizzo

AVVERTENZA:

- Non utilizzare mai la chiodatrice se gli elementi di sicurezza non funzionano correttamente. Diversamente, si potrebbero causare lesioni personali e danni.


Questa chiodatrice funziona solo se si attivano sia il grilletto sia gli elementi di sicurezza. Prima di utilizzare la chiodatrice, verificare che i sistemi di sicurezza funzionino correttamente seguendo la procedura indicata di seguito. (Fig. 6)



1. Prima dell'operazione, accertarsi che l'utensile non sia caricato con i chiodi.
2. Collegare il tubo dell'aria all'utensile.
3. Impostare la levetta di blocco in posizione di sblocco.
4. Tirare lo sportello scorrevole dello scomparto verso la propria direzione.
5. Premere solo il grilletto.
6. Rilasciare il grilletto e posizionare l'elemento di sicurezza contro il pezzo.
7. Rimuovere l'elemento di sicurezza dal pezzo, premere il grilletto e quindi riposizionare l'elemento di sicurezza contro il pezzo.
8. Se la chiodatrice viene utilizzata senza seguire le indicazioni dei punti 5 - 6 - 7, gli elementi di sicurezza non funzioneranno correttamente. (Fig. 7 e 8)

Utilizzo del blocco grilletto

L'utensile possiede un blocco grilletto per evitare gli incidenti causati da un avvio involontario. Il blocco grilletto impedisce al grilletto

di muoversi ed evita che l'utensile possa espellere accidentalmente i chiodi.

Per bloccare il grilletto, impostare la levetta di blocco nella posizione "LOCK 

Prima della chiodatura, impostare la levetta di blocco nella posizione "FREE ". Quando non si utilizza l'utensile, impostare sempre nella posizione "LOCK 

Regolazione della profondità di chiodatura

ATTENZIONE:

- Bloccare sempre il grilletto e staccare il tubo prima di regolare la profondità di chiodatura. (Fig. 11 e 12)

Per regolare la profondità di chiodatura, ruotare il regolatore. La profondità di chiodatura maggiore si ha con il regolatore ruotato completamente nella direzione A, come mostrato nella figura. Essa si riduce man mano che il regolatore viene ruotato nella direzione B.

Gancio (Fig. 13)

ATTENZIONE:

- Bloccare sempre il grilletto e staccare il tubo prima di modificare la posizione di installazione del gancio e prima di utilizzarlo.
- Non appendere l'utensile in posizioni elevate, alla cintura o su supporti potenzialmente instabili.

Il gancio è utile per appendere temporaneamente l'utensile.

Il gancio può essere installato su entrambi i lati dell'utensile.

Quando si modifica la posizione dell'installazione, rimuovere le viti dal gancio. Posizionare il gancio nella posizione desiderata e fissarlo con la vite.

MONTAGGIO

ATTENZIONE:

- Bloccare sempre il grilletto e staccare il tubo prima di qualsiasi intervento sull'utensile.
- Quando si inseriscono chiodi nello scomparto, accertarsi che essi siano dello stesso tipo e che abbiano dimensioni e lunghezza uniformi.

Caricamento della chiodatrice

ATTENZIONE:

- Bloccare sempre il grilletto e staccare il tubo dall'utensile prima di caricare la chiodatrice. (Fig. 14)

Premere la leva e aprire lo sportello scorrevole dello scomparto tirandolo verso di sé con la leva premuta.

(Fig. 15)

Allineare la punta dei chiodi con le scanalature sulla parte inferiore dello scomparto e spingere tutto il blocco dei chiodi verso l'apertura di espulsione. (Fig. 16)

Chiudere saldamente lo sportello scorrevole.

Chiudere lo sportello scorrevole.

Adattatore esterno

ATTENZIONE:

Bloccare sempre il grilletto e staccare il tubo dall'utensile prima di caricare la chiodatrice. (Fig. 17)

Per evitare di graffiare o danneggiare la superficie sulla quale eseguire la chiodatura, utilizzare l'adattatore esterno. Prima di collegare l'adattatore esterno, rimuovere con la chiave esagonale le due viti che fissano la guida avvitatore anteriore.

Collegare l'adattatore esterno in modo che la sporgenza si inserisca nella fessura dell'elemento di contatto.

(Fig. 18)

Quando non lo si utilizza, conservare l'adattatore esterno in un luogo sicuro. L'utensile può essere riposto nel retro dello sportello scorrevole.

Aprire leggermente lo sportello scorrevole e fissare l'adattatore esterno sul supporto con lo sportello scorrevole appena aperto, quindi richiuderlo. È possibile riporre due adattatori esterni. (Fig. 19)

Per rimuovere facilmente l'adattatore esterno dal supporto, spingerlo fuori dal retro dello sportello scorrevole utilizzando la chiave esagonale.

Collegamento del tubo dell'aria

ATTENZIONE:

- Quando si collega il tubo dell'aria, non tenere mai un dito sul grilletto.

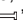
Bloccare il grilletto e inserire la presa d'aria del tubo dell'aria sull'elemento dell'aria della chiodatrice.

Accertarsi che la presa d'aria sia fissata saldamente in posizione quando è installata sull'elemento dell'aria. È necessario installare un accoppiatore del tubo sulla parte superiore o vicino all'utensile in modo che il serbatoio della pressione si scarichi quando l'accoppiatore di alimentazione dell'aria viene staccato.

USO

ATTENZIONE:

- Accertarsi sempre di posizionare prima l'elemento di contatto contro il pezzo e poi schiacciare il grilletto. (Fig. 20)

Per conficcare un chiodo, impostare la levetta di blocco nella posizione "FREE 

Posizionare l'elemento di contatto contro il pezzo, quindi premere il grilletto. (Fig. 21)

Meccanismo anti-incendio

Questo utensile è munito di un meccanismo anti-incendio. Nel caso l'utensile si trovi nella posizione non premuta il meccanismo ne impedisce l'attivazione. Per riutilizzare l'utensile, caricare più chiodi.

Inceppamento della chiodatrice

ATTENZIONE:

- Bloccare sempre il grilletto, staccare il tubo e rimuovere i chiodi dalla chiodatrice prima di correggere un inceppamento. (Fig. 22)

Aprire lo sportello scorrevole e rimuovere i chiodi dallo scomparto.

Premere l'estremità superiore della chiave esagonale e rimuoverla dal supporto. (Fig. 23)

Rimuovere con la chiave esagonale le due viti che fissano la guida avvitatore anteriore.

Rimuovere i chiodi inceppati dalla scanalatura guida dei chiodi che è comparsa.

Se risulta difficile estrarre i chiodi inceppati, rimuovere anche le due viti che fissano la guida avvitatore anteriore con la chiave esagonale. Quindi rimuoverli.

Chiodi (Fig. 24)

Maneggiare con cura le bobine chiodi e la relativa scatola. Se i chiodi sono stati maneggiati in modo errato, potrebbero essere deformati o staccati, causando una scarsa alimentazione dei chiodi. Non conservare i chiodi in un luogo molto umido o caldo. Non esporli alla luce diretta del sole. (Fig. 25)

MANUTENZIONE

ATTENZIONE:

- Bloccare sempre il grilletto e staccare il tubo prima di eseguire l'ispezione o la manutenzione.

Manutenzione della chiodatrice (Fig. 26)

Prima dell'uso, controllare sempre le condizioni generali dell'utensile e l'eventuale presenza di viti allentate.

Serrarle, se necessario. (Fig. 27)

Con l'utensile staccato, controllare quotidianamente che l'elemento di contatto e il grilletto si muovano liberamente. Non usare l'utensile se l'elemento di contatto o il grilletto rimangono incollati o bloccati.

Svuotamento dell'utensile (Fig. 28)

Staccare il tubo dall'utensile. Posizionare l'utensile in modo che l'elemento dell'aria sia rivolto verso il basso. Svuotare il più possibile.

Pulizia dell'utensile

Rimuovere la polvere con un aspirapolvere.

Coperchio (Fig. 29)

Quando non si utilizza l'utensile, bloccare il grilletto e staccare il tubo. Quindi chiudere il foro di espulsione dell'elemento dell'aria. (Fig. 30)

Se non si intende usare l'utensile per un lungo periodo di tempo, lubrificarlo usando l'olio pneumatico e conservarlo in un posto sicuro. Evitare l'esposizione alla luce diretta del sole e/o di conservare l'utensile in un posto umido o caldo. (Fig. 31)

Manutenzione del compressore, gruppo e tubo aria (Fig. 32 e 33)

Dopo il lavoro, scaricare sempre il serbatoio del compressore e il filtro dell'aria. Se nell'utensile entra umidità, si potrebbe verificare uno scadimento delle prestazioni ed anche un guasto dell'utensile.

Controllare regolarmente che nell'oliatore del gruppo aria sia presente olio pneumatico a sufficienza. Una lubrificazione insufficiente causa la rapida usura degli anelli di tenuta. (Fig. 34)

Tenere il tubo dell'aria lontano dal calore (oltre 60°C) e dalle sostanze chimiche (solventi, acidi o alcali forti). Inoltre, disporre il tubo dove non sono presenti ostacoli sui quali potrebbe pericolosamente impigliarsi durante il lavoro.

I tubi devono anche essere tenuti lontano dai bordi taglienti e dai punti che potrebbero danneggiarli o causarne l'abrasione. (Fig. 35)

Per mantenere la SICUREZZA e l'AFFIDABILITÀ del prodotto, qualsiasi altra manutenzione o regolazione deve

essere fatta da un centro di assistenza Makita autorizzato usando sempre ricambi Makita.

ACCESSORI

ATTENZIONE:

- Si raccomanda di usare questi accessori per l'utensile Makita descritto in questo manuale. L'uso di qualsiasi altro accessorio potrebbe provocare lesioni personali. Utilizzare gli accessori esclusivamente per l'uso dichiarato.

Per l'assistenza e ulteriori informazioni su tali accessori, rivolgersi al centro di assistenza Makita più vicino.

- Chiodi
- Tubi dell'aria
- Occhiali di protezione

Solo per i paesi europei

ENG045-2

Rumore e vibrazione

I tipici livelli di rumore ponderati "A" sono:

livello di pressione sonora: 74 dB (A)

livello di potenza sonora: 87 dB (A).

Indossare una protezione acustica

In genere, il valore efficace ponderato dell'accelerazione non supera i 2,5 m/s²

Variazione (K): 1,5 m/s²

Questi valori sono stati ottenuti in conformità con la norma EN792.

DICHIARAZIONE DI CONFORMITÀ CE

ENH013-5

Dichiariamo sotto nostra esclusiva responsabilità che il presente prodotto è conforme alle seguenti norme o documenti normativi: EN792 secondo le disposizioni delle direttive del Consiglio, 98/37/CE.

CE 2008



Tomoyasu Kato
Direttore

Produttore responsabile:

Makita Corporation

3-11-8, Sumiyoshi-cho, Anjo, Aichi, GIAPPONE

Rappresentanti autorizzati in Europa:

Makita International Europe Ltd.

Michigan Drive, Tongwell, Milton Keynes, Bucks MK15 8JD, INGHILTERRA

NEDERLANDS

Verklaring van algemene gegevens

- | | | |
|---|---|---------------------------------------|
| 1. Veiligheidsbril | 15. Schuif van het magazijn | 27. Snoerring |
| 2. Gezichtsbeschermer | 16. Magazijn | 28. Inbussleutel |
| 3. Compressorlucht opbrengst per minuut | 17. Nagel | 29. Achterste stootgeleider |
| 4. Nagelsnelheid (nagels/min.) | 18. Groef voor de schuif van het magazijn | 30. Draaiknoppen |
| 5. Vergrendelde stand | 19. Groeven op de onderkant van het magazijn | 31. Vocht |
| 6. Ontgrendelde stand | 20. Nagel-uitwerpopening | 32. Hitte |
| 7. Vergrendelknop | 21. Voorste stootgeleider | 33. Dop |
| 8. Trekker | 22. Neusadapter | 34. Aftapkraantje |
| 9. Contactschoen | 23. Uitsteeksel | 35. Luchtfilter |
| 10. Stelring | 24. Snoerring | 36. Smeerinrichting |
| 11. Te diep | 25. Neusadapter | 37. Olie voor pneumatisch gereedschap |
| 12. Viak | 26. Druk eerst de contactschoen tegen het werkstuk. | 38. Thinner |
| 13. Te ondiep | | 39. Verwarming |
| 14. Hendel | | |

TECHNISCHE GEGEVENS

| Model | AF550H |
|------------------------|--------------------------------------|
| Luchtdruk | 0,98 t/m 2,26 MPa (9,8 t/m 22,6 bar) |
| Nagellengte | 15 mm t/m 55 mm |
| Nagelcapaciteit | 100 stuks |
| Afmetingen (L x H x B) | 228 mm x 61 mm x 235 mm |
| Min. slangdiameter | 5,0 mm of meer |
| Netto gewicht | 1,2 kg |

- Als gevolg van ons doorlopende onderzoeks- en ontwikkelingsprogramma, zijn de technische gegevens van dit gereedschap onderhevig aan veranderingen zonder voorafgaande kennisgeving.
- Opmerking: De technische gegevens kunnen van land tot land verschillen.

Symbolen

END106-2

Hieronder staan de symbolen die voor dit gereedschap worden gebruikt. Zorg ervoor dat u weet wat ze betekenen alvorens het gereedschap te gebruiken.



..... Lees de gebruiksaanwijzing.



..... Draag een veiligheidsbril.



..... Gebruik het gereedschap niet op een steiger of ladder.

BELANGRIJKE VEILIGHEIDSinSTRUCTIES

ENB110-1

WAARSCHUWING: TIJDENS HET GEBRUIK VAN DIT GEREEDSCHAP DIENEN ALTIJD DE BASISVEILIGHEIDSVORZORGEN TE WORDEN GETROFFEN OM DE RISICO'S VAN PERSOONLIJK LETSEL, WAARONDER DE VOLGENDE, TE VERKLEINEN:

LEES ALLE INSTRUCTIES.

- Omwille van uw persoonlijke veiligheid en de juiste werking en onderhoud van het gereedschap, leest u

deze gebruiksaanwijzing alvorens het gereedschap te gebruiken.

- Draag altijd een veiligheidsbril om uw ogen te beschermen tegen letsel door stof of nagels.
WAARSCHUWING:
Het is de verantwoordelijkheid van de werkgever om ervoor te zorgen dat veiligheidsmiddelen voor oogbescherming gebruikt worden door de gebruikers van het gereedschap en anderen in de onmiddellijke omgeving van de werkplek.
- Alleen voor Australië en Nieuw-Zeeland Draag altijd een veiligheidsbril en gezichtsbeschermer om uw ogen te beschermen tegen letsel door stof of nagels. De veiligheidsbril en gezichtsbeschermer dienen te voldoen aan de vereisten van AS/NZS 1336.
WAARSCHUWING:
Het is de verantwoordelijkheid van de werkgever om ervoor te zorgen dat veiligheidsmiddelen voor oogbescherming gebruikt worden door de gebruikers van het gereedschap en anderen in de onmiddellijke omgeving van de werkplek. **(Zie afb. 1)**
- Draag gehoorbescherming om uw oren te beschermen tegen het uitlaatgeluid en als hoofdbescherming. Draag tevens lichte maar geen losse kleding. Manchetten moeten dichtgeknoopt zijn of de mouwen moeten worden opgerold. Draag geen stropdas.
- Haast tijdens de werkzaamheden of het gereedschap dwingen is gevaarlijk.
Wees voorzichtig wanneer u het gereedschap

- hanteert. Bedien het gereedschap niet onder invloed van alcohol, drugs en dergelijke.
- Algemene richtlijnen voor het hanteren van het gereedschap
 - (1) Ga er altijd vanuit dat in het gereedschap nagels zitten.
 - (2) Richt het gereedschap niet op uzelf of anderen, ongeacht of er nagels in zitten of niet.
 - (3) Schakel het gereedschap niet in als dit niet stevig tegen het werkstuk wordt gedrukt.
 - (4) Respecteer het gereedschap als werktuig.
 - (5) Speel er niet mee.
 - (6) Draag het gereedschap niet met een vinger om de trekker.
 - (7) Laad geen nagels in het gereedschap wanneer een van de bedieningsschakelaars is ingeschakeld.
 - (8) Bedien het gereedschap niet met een andere voedingsbron dan die is aangegeven in de bedienings- en veiligheidsinstructies van dit gereedschap.
 - Als het gereedschap niet juist werkt, mag het niet worden gebruikt.
 - Tijdens het gebruik van het gereedschap kunnen soms vonken wegspringen. Gebruik het gereedschap niet in de buurt van vluchtige, brandbare materialen, zoals benzine, thinner, verf, gas, lijm, enz., omdat deze kunnen ontsteken en exploderen, waarbij ernstig letsel kan worden veroorzaakt.
 - De werkplek moet voldoende worden verlicht om een veilige bediening te garanderen. De werkplek moet schoon en vrij van afval zijn. Zorg ervoor dat u stevig staat en uw evenwicht goed bewaart.
 - Alleen personen die betrokken zijn bij de werkzaamheden mogen in de buurt van de werkplek komen. Met name kinderen moeten altijd uit de buurt worden gehouden.
 - Er kunnen plaatselijk regels gelden met betrekking tot geluid, waaraan u zich dient te houden door de geluidsproductie onder het voorgeschreven niveau te houden. In bepaalde gevallen moeten geluidsschermen worden gebruikt om het geluidsniveau te beperken.
 - Speel niet met de contactschoen: het voorkomt per ongeluk nagelen, dus moet het blijven zitten en mag niet worden verwijderd. De trekker in ingeschakelde stand vergrendeld is ook erg gevaarlijk. Probeer nooit de trekker vast te zetten. Bedien het gereedschap niet als enig onderdeel van de bedieningselementen van het gereedschap niet kan worden bediend, is losgekoppeld, gewijzigd of niet goed werkt.
 - Gebruik het gereedschap binnen het opgegeven luchtdrukgebied van 0,98 t/m 2,26 MPa (9,8 t/m 22,6 bar) vanwege de veiligheid en een langere levensduur van het gereedschap. Overschrijdt de aanbevolen maximumwerkdruk van 2,26 MPa (22,6 bar) niet. Het gereedschap mag niet worden aangesloten op een bron waarvan de druk 3,39 MPa (33,9 bar) kan overschrijden.
 - Zorg ervoor dat de druk die door het persluchtstelsel wordt geleverd, niet de maximale toelaatbare druk van het bevestigingsaandrijfgereedschap overschrijdt. Stel de luchtdruk in eerste instantie in op de laagste waarde van de aanbevolen toelaatbare luchtdruk (zie "TECHNISCHE GEGEVENS").
 - Gebruik het gereedschap nooit met iets anders dan perslucht. Als flessengas (koolstofdioxide, zuurstof, stikstof, waterstof, lucht, enz.) of brandbaar gas (waterstof, propaan, acetyleen, enz.) als voeding van dit gereedschap wordt gebruikt, zal het gereedschap exploderen en ernstig letsel veroorzaken.
 - Controleer voor gebruik het gereedschap altijd eerst op algehele conditie en loszittende schroeven. Draai deze zo nodig vast.
 - Controleer voor gebruik dat alle beveiligingssystemen goed werken. Het gereedschap mag niet werken als alleen de trekker wordt ingeknepen of als alleen de contactschoen op het hout wordt gedrukt. Het gereedschap mag alleen werken als beide handelingen tegelijkertijd worden uitgevoerd. Test op mogelijke defecte werking wanneer geen nagels zijn geladen en de aandrukker helemaal uitgetrokken is.
 - Controleer dat de trekker vergrendeld is, wanneer de vergrendelknop in de stand LOCK staat.
 - Controleer muren, plafonds, vloeren en dergelijke gronding om te voorkomen dat door het nagelen in elektrische draden, pijpen of gasleidingen een elektrische schok, gaslek, explosie, enz. kan ontstaan.
 - Gebruik uitsluitend nagels die in deze gebruiksaanwijzing worden aangegeven. Door een ander soort nagels te gebruiken, kan een storing in het gereedschap worden veroorzaakt.
 - Gebruik nooit elektrisch bevestigingsgereedschap met daarop het symbool "Niet gebruiken op steigers en ladders" bij bepaalde toepassingen, bijvoorbeeld:
 - als bij het veranderen van een werkplek naar de volgende, gebruik gemaakt wordt van een steiger, trap, ladder of soortgelijke constructies, bijv. daklatten;
 - bij het sluiten van dozen of kratten, en
 - bij het monteren van transportbeveiligingssysteem, bijv. op voertuigen en aanhangers.
 - Laat personen zonder onderricht het gereedschap niet gebruiken.
 - Controleer voor het nagelen dat niemand dichtbij staat. Probeer nooit tegelijkertijd van binnenuit en van buitenaf te nagelen. De nagels kunnen er dwars doorheen schieten of afketsen en een groot gevaar opleveren.
 - Zorg ervoor dat u tijdens het gebruik van het gereedschap stevig staat en uw evenwicht goed bewaart. Controleer dat er niemand onder u staat wanneer u op een hoge plaats werkt, en maak de persluchtslang vast om gevaarlijke situaties te voorkomen als er plotseling aan wordt getrokken of deze bekneld raakt.
 - Op daken en andere hoge plaatsen nagelt u terwijl u voorwaarts beweegt. U glijdt gemakkelijk weg als u nagelt terwijl u achterwaarts kruipt. Als u in een rechtopstaande ondergrond nagelt, nagelt u van boven naar beneden. U kunt op deze manier nagelen zonder snel vermoeid te raken.
 - Een nagel zal krom gaan of het gereedschap kan vastlopen als u per ongeluk bovenop een andere nagel of in een knoest in het hout nagelt. De nagel kan wegschieten en iemand raken, of het gereedschap zelf

kan gevaarlijk terugstaan. Kies de plaats voor de nagel met zorg.

- Laat het geladen gereedschap of de luchtcompressor niet onder druk gedurende een lange tijd in de zon liggen. Zorg ervoor dat stof, zand, houtsnippers en vreemde stoffen niet kunnen binnendringen in het gereedschap op de plaats waar u het laat liggen.
- Richt de schietmond nooit op iemand in de buurt. Houd handen en voeten uit de buurt van de schietmond.
- Als de perslucht slang is aangesloten, draagt u het gereedschap niet met uw vinger om de trekker en geeft u het gereedschap niet op deze manier aan iemand anders. Als de trekker per ongeluk wordt ingeknepen, ontstaat een uiterst gevaarlijke situatie.
- Hanteer het gereedschap voorzichtig, aangezien er binnenin het gereedschap een hoge druk is die gevaar oplevert als een barst ontstaat door grove behandeling (laten vallen of stoten). Probeer niet in het gereedschap te snijden of graven.
- Stop onmiddellijk met nagelen als u een probleem of iets vreemds opmerkt aan het gereedschap.
- Koppel altijd de perslucht slang los en verwijder alle nagels:
 1. Als u het gereedschap alleen achterlaat;
 2. Alvorens enige onderhouds- of reparatiewerkzaamheden uit te voeren;
 3. Alvorens een verstopping op te lossen, en
 4. Alvorens het gereedschap naar een andere plaats over te brengen.
- Voer de reinigings- en onderhoudswerkzaamheden uit onmiddellijk nadat het werk is voltooid. Houd het gereedschap in opperbeste conditie. Smeer bewegende delen om roesten te voorkomen en slijtage door wrijving te minimaliseren. Veeg alle stof van de onderdelen af.
- Als u het gereedschap niet gebruikt, moet u altijd de trekker vergrendelen door de vergrendelknop naar de stand LOCK te draaien.
- Wijzig het gereedschap niet zonder toestemming van Makita.
- Vraag een erkend Makita-servicecentrum regelmatig het gereedschap te inspecteren.
- Om de VEILIGHEID en BETROUWBAARHEID van het gereedschap te handhaven, dienen alle reparaties en onderhoud te worden uitgevoerd door een erkend Makita-servicecentrum, en altijd met gebruikmaking van originele Makita-ervangingsonderdelen.
- Gebruik uitsluitend olie voor pneumatisch gereedschap die in deze gebruiksaanwijzing wordt aangegeven.
- Sluit het gereedschap nooit aan op een persluchtleiding die de maximaal toegelaten druk van het gereedschap niet met 10% kan overschrijden. Zorg ervoor dat de druk die door het persluchtstelsel wordt geleverd, niet de maximaal toelaatbare druk van het bevestigingsaandrijfgereedschap overschrijdt. Stel de luchtdruk in eerste instantie in op de laagste waarde van de aanbevolen toelaatbare luchtdruk.
- Probeer niet de contactshoenvoortdurende ingedrukt te houden met tape of draad. Dit kan leiden tot de dood of ernstig letsel.
- Controleer altijd de contactshoenvolgens de instructies in deze gebruiksaanwijzing. Als het veiligheidsmechanisme niet goed werkt, kunnen nagels per ongeluk worden geschoten.

BEWAAR DEZE INSTRUCTIES

HET JUISTE GEREEDSCHAP KIEZEN

Een compressor kiezen (Zie afb. 2)

- Kies een compressor die ruim voldoende luchtdruk en luchttopbrengst levert om verzekerd te zijn van een kostenefficiënte werking. De grafiek geeft de relatie aan tussen de nagelsnelheid, toepasselijke luchtdruk en compressorluchttopbrengst. Als bijvoorbeeld het nagelen ongeveer 60 keer per minuut wordt uitgevoerd met een luchtdruk van 1,76 MPa (17,6 bar), is een compressor met een luchttopbrengst van meer dan 45 l/min vereist. Als de toegevoerde luchtdruk hoger is dan de nominale luchtdruk van het gereedschap, moeten drukregulators worden gebruikt om de luchtdruk te beperken tot de nominale luchtdruk van het gereedschap. Als u dit niet doet kunnen de gebruiker van het gereedschap en personen in de buurt ernstig letsel oplopen.

Een perslucht slang kiezen

WAARSCHUWING:

- Gebruik een perslucht slang. De luchtdruk die bij dit nagelpistool wordt gebruikt is hoger dan bij andere, algemene nagelpistolen voor afwerken. (Zie afb. 3)
- Gebruik een zo groot en kort mogelijke perslucht slang om verzekerd te zijn van ononderbroken en efficiënt nagelen.

LET OP:

- Als de compressorluchttopbrengst lager is, of de lucht slang een kleinere inwendige diameter heeft of langer is in verhouding tot de nagelsnelheid, kan het nagelvermogen van het gereedschap teruglopen.

Smeren (Zie afb. 4)

Om van maximale prestaties verzekerd te zijn, monteert u een luchtset (smeerinrichting, drukregulator, luchtfilter) zo dicht mogelijk bij het gereedschap. Stel de smeerinrichting zodanig in dat voor iedere 50 nagels een druppel smeerolie wordt geleverd.

Als geen luchtset wordt gebruikt, smeert u het gereedschap met olie voor pneumatisch gereedschap door twee (2) of drie (3) druppels in het lucht aansluiting aan te brengen. U dient dit voor en na ieder gebruik te doen. Voor een goede smering moet het gereedschap enkele keren worden bediend nadat de olie voor pneumatisch gereedschap is aangebracht. (Zie afb. 5)

BESCHRIJVING VAN DE FUNCTIES

LET OP:

- Vergrendel altijd de trekker en koppel de perslucht slang los voordat u de functies van het gereedschap instelt of controleert.

Controle vóór gebruik

WAARSCHUWING:

- Gebruik het nagelpistool nooit als de veiligheidsvoorzieningen niet goed werken. Als het


gereedschap in dergelijke staat wordt gebruikt, kan dit leiden tot persoonlijk letsel en schade.



Dit nagelpistool schiet alleen nagels wanneer zowel de trekker wordt ingeknepen, als de veiligheidsvoorzieningen worden geactiveerd. Alvorens te nagelen, controleert u dat de veiligheidsvoorzieningen van het nagelpistool goed werken door de onderstaande procedure te volgen. **(Zie afb. 6)**

1. Controleer vóór gebruik dat geen nagels in het gereedschap zijn geladen.
2. Sluit de perslucht slang aan op het gereedschap.
3. Zet de vergrendelknop in de ontgrendelde stand.
4. Duw de schuif van het magazijn naar u toe.
5. Knijp alleen de trekker in.
6. Haal uw vinger van de trekker af en druk de contactschoen op het werkstuk.
7. Haal de contactschoen van het werkstuk af, knijp de trekker in en druk vervolgens de contactschoen weer tegen het werkstuk.
8. Als het nagelpistool in werking treedt bij stap 5 t/m 7, werken de veiligheidsvoorzieningen niet goed. **(Zie afb. 7 en 8)**

De trekkervergrendeling gebruiken

Het gereedschap is uitgerust met een trekkervergrendeling om ongelukken te voorkomen door per ongeluk bedienen. Door de trekkervergrendeling kan de trekker niet worden ingeknepen en het gereedschap geen nagels schieten.

Om de trekker te vergrendelen, plaatst u de vergrendelknop in de stand "VERGRENDELD ".

Als u wilt nagelen, zet u de vergrendelknop in de stand "VRIJ ". Als het gereedschap niet in gebruik is, zet u de vergrendelhendel altijd in de stand "VERGRENDELD " en koppelt u de perslucht slang los van het gereedschap. **(Zie afb. 9 en 10)**

De nageldiepte instellen

LET OP:

- Vergrendel altijd de trekker en koppel de perslucht slang los voordat u de nageldiepte instelt. **(Zie afb. 11 en 12)**

Draai de stelling om de nageldiepte in te stellen. De nageldiepte is het grootst wanneer de stelling zo ver mogelijk in richting A, aangegeven in de afbeelding, is gedraaid. De diepte wordt geringer naarmate de stelling in richting B wordt gedraaid.

Haak (Zie afb. 13)

LET OP:

- Vergrendel altijd de trekker en koppel de perslucht slang los voordat u de montagezijde van de haak verandert en de haak gebruikt.
- Hang het gereedschap niet op aan de haak op een hoge plaats, aan een heupgordel of op een mogelijk instabiele ondergrond.

De haak is handig om het gereedschap tijdelijk aan op te hangen.

De haak kan aan beide kanten van het gereedschap worden bevestigd.

Als u de haak aan een andere zijde wilt bevestigen, draait u de schroef uit de haak. Plaats de haak op de gewenste zijde en zet hem vast met de schroef.

ONDERDELEN AANBRENGEN/ VERWIJDEREN

LET OP:

- Vergrendel altijd de trekker en koppel de perslucht slang los voordat u enige werkzaamheden aan het gereedschap uitvoert.
- Gebruik nagels van dezelfde soort, grootte en uniforme lengte wanneer u nagels laadt in het magazijn.

Nagels laden

LET OP:

- Vergrendel altijd de trekker en koppel de perslucht slang los voordat u het nagelpistool bijvult. **(Zie afb. 14)**

Druk de vergrendeling in en open de schuif van het magazijn door dit naar uzelf toe te trekken met ingedrukte vergrendeling. **(Zie afb. 15)**

Lijn de punt van de nagels uit met de groeven op de onderkant van het magazijn en duw de hele strip nagels in de richting van de schietopening. **(Zie afb. 16)**

Sluit de schuif van het magazijn stevig.

Sluit de schuif van het magazijn.

Neusadapter

LET OP:

Vergrendel altijd de trekker en koppel de perslucht slang los voordat u het nagelpistool bijvult. **(Zie afb. 17)**
Om te voorkomen dat het oppervlak van het werkstuk wordt bekrast of beschadigd, brengt u de neusadapter aan. Alvorens de neusadapter aan te brengen, verwijderd u met de inbussleutel de twee schroeven waarmee de voorste stootgeleider is vastgezet.

Bevestig de neusadapter zodat de uitsteeksels ervan passen in de groeven in de contactschoen. **(Zie afb. 18)**
Bewaar de neusadapter op zijn plaats wanneer deze niet in gebruik is. De bewaarplaats van de neusadapter is aan de achterkant van de schuif van het magazijn.

Open de schuif van het magazijn iets en plaats de neusadapter op de houder terwijl de schuif van het magazijn iets open staat en sluit daarna de schuif van het magazijn. Er kunnen in totaal twee neusadapters worden bevestigd. **(Zie afb. 19)**

Om de neusadapter gemakkelijk van de houder af te halen, duwt u deze met een inbussleutel naar buiten vanaf de achterkant van de schuif van het magazijn.

De perslucht slang aansluiten

LET OP:

- Bij het aankoppelen van de perslucht slang mag u nooit uw vinger op de trekker houden.

Vergrendel de trekker en duw de aansluiting van de perslucht slang op de aansluiting van het nagelpistool. Zorg ervoor dat beide aansluitingen stevig op elkaar worden vergrendeld. De slangkoppeling moet op of vlakbij het gereedschap worden gemonteerd op een zodanige manier dat op het moment dat de persluchtkoppeling wordt losgekoppeld, de luchtdruktank leeg loopt.

BEDIENING

LET OP:

- Druk altijd eerst de contactshoep op het werkstuk, voordat u de trekker inknijpt. **(Zie afb. 20)**

Om een nagel af te schieten, zet u de vergrendelknop in de stand "VRIJ ⇐".

Druk de contactshoep tegen het werkstuk en knijp daarna de trekker in. **(Zie afb. 21)**

Anti-droogschietmechanisme

Dit gereedschap is uitgerust met een anti-droogschietmechanisme.

Er is een niet-ingekepen stand om te voorkomen dat het gereedschap in werking wordt gesteld. Laad meer nagels om verder te kunnen nagelen.

Vastgelopen nagelpistool

LET OP:

- Alvorens een vastgelopen nagel te verwijderen, vergrendelt u altijd eerst de trekker, koppelt u daarna de persluchtslang los en haalt u tenslotte de nagelstrip uit het magazijn. **(Zie afb. 22)**

Open de schuif en haal de nagels uit het magazijn.

Druk tegen de korte bovenkant van de inbussleutel en

haal deze uit de houder op het gereedschap. **(Zie afb. 23)**

Verwijder met behulp van de inbussleutel de twee schroeven waarmee de voorste stootgeleider is vastgezet.

Haal de vastgelopen nagels uit de nagelgeleidergroef die nu zichtbaar is.

Als de vastgelopen nagels moeilijk te verwijderen zijn, verwijdert u ook de twee schroeven waarmee de achterste stootgeleider is vastgezet met behulp van de inbussleutel. Haal ze eruit.

Nagels (Zie afb. 24)

Wees voorzichtig bij het hanteren van de nagelstrips en de doos ervan. Als de nagelstrips grof behandeld worden, kunnen ze vervorm worden of breken waardoor een slechte nageltoevoer ontstaat.

Voorkom dat de nagels worden opgeslagen in een zeer vochtige of warme ruimte of op een plek die is blootgesteld aan direct zonlicht. **(Zie afb. 25)**

ONDERHOUD

LET OP:

- Vergrendel altijd de trekker en koppel de persluchtslang los alvorens inspectie- of onderhoudswerkzaamheden uit te voeren.

Het nagelpistool onderhouden (Zie afb. 26)

Controleer voor gebruik het gereedschap altijd eerst op algehele conditie en loszittende schroeven. Draai deze zo nodig vast. **(Zie afb. 27)**

Inspecteer het gereedschap dagelijks met losgekoppelde persluchtslang op vrije beweging van de contactshoep en trekker. Gebruik het gereedschap niet als de contactshoep of trekker vastlopen of klemmen.

Het gereedschap aftappen (Zie afb. 28)

Koppel de persluchtslang los van het gereedschap. Houd het gereedschap zodanig vast dat de luchtinlaat naar beneden is gericht. Laat zo veel mogelijk water uit het gereedschap lopen.

Het gereedschap reinigen

Blaas het stof eraf met behulp van een persluchtpistool.

Dop (Zie afb. 29)

Als het nagelpistool niet in gebruik is, vergrendelt u de trekker en koppelt u de persluchtslang los. Doe daarna de dop op de aansluiting van de persluchtslang. **(Zie afb. 30)** Wanneer het gereedschap gedurende een lange tijd niet gebruikt gaat worden, smeert u het gereedschap met olie voor pneumatisch gereedschap en bewaart u het gereedschap op een veilige plaats. Voorkom blootstelling aan direct zonlicht en/of een vochtige of warme omgeving. **(Zie afb. 31)**

Onderhoud aan de compressor, luchtset en persluchtslang (Zie afb. 32 en 33)

Na gebruik moet altijd de luchtdruktank en het luchtfilter van de compressor worden afgetapt. Als vocht in het gereedschap kan binnendringen, kan dit leiden tot slechte prestaties en mogelijk defect van het gereedschap.

Controleer regelmatig om te zien of er voldoende pneumatische olie in de smerinrichting van de luchtset zit. Als u niet voor voldoende smering zorgt, zullen de O-ringen snel slijten. **(Zie afb. 34)**

Houd de persluchtslang uit de buurt van warmte (meer dan 60 °C) en uit de buurt van chemicaliën (verdunner, sterke zuren of basen). Houd de persluchtslang ook uit de buurt van obstakels waarachter deze kan haken tijdens gebruik om gevaarlijke situaties te voorkomen.

De persluchtslang moet tevens uit de buurt worden gehouden van scherpe randen en plaatsen die aanleiding kunnen geven tot beschadiging of schuren van de persluchtslang. **(Zie afb. 35)**

Om de VEILIGHEID en BETROUWBAARHEID van het gereedschap te handhaven, dienen alle reparaties, onderhoud en afstellingen te worden uitgevoerd door een erkend Makita-servicecentrum, en altijd met gebruikmaking van originele Makita-ervangingsonderdelen.

ACCESSOIRES

LET OP:

- Deze accessoires of hulpstukken worden aanbevolen voor gebruik met het Makita-gereedschap dat in deze gebruiksaanwijzing wordt beschreven. Het gebruik van andere accessoires of hulpstukken kan gevaar voor persoonlijk letsel opleveren. Gebruik de accessoires of hulpstukken uitsluitend voor de aangegeven gebruiksdoeleinden.

Mocht u meer informatie willen hebben over deze accessoires, dan kunt u contact opnemen met uw plaatselijke Makita-servicecentrum.

- Nagels
- Persluchtslangen
- Veiligheidsbril

Alleen voor Europese landen

ENG045-2

Geluid en trillingen

De typische, A-gewogen geluidsniveaus zijn
geluidsdrukniveau: 74 dB (A)
geluidsvermogeniveau: 87 dB (A).

Draag gehoorbescherming

De typisch, gewogen, kwadratisch-gemiddelde
versnellingswaarde is niet hoger dan $2,5 \text{ m/s}^2$
Onzekerheid (K): $1,5 \text{ m/s}^2$
Deze waarden zijn verkregen volgens EN792.

EU-VERKLARING VAN CONFORMITEIT

ENH013-5

Wij verklaren onder eigen verantwoordelijkheid dat dit
product voldoet aan de normen in de volgende
documenten: EN792 in overeenstemming met de
richtlijnen van de Raad, 98/37/EC.

CE 2008



Tomoyasu Kato
Directeur

Verantwoordelijke fabrikant:

Makita Corporation

3-11-8, Sumiyoshi-cho, Anjo, Aichi, JAPAN

Erkende vertegenwoordiger voor Europa:

Makita International Europe Ltd.

Michigan Drive, Tongwell, Milton Keynes, Bucks MK15
8JD, ENGLAND

Descripción y visión general

- | | | |
|---|---|--|
| 1. Gafas de seguridad | 16. Depósito alimentador | 28. Llave Allen |
| 2. Careta protectora | 17. Clavo | 29. Guía posterior del pasador de arrastre |
| 3. Salida de aire comprimido por minuto | 18. Ranura para la cubierta deslizante | 30. Tornillos |
| 4. Frecuencia de clavado (veces/min.) | 19. Ranuras de la parte inferior del depósito alimentador | 31. Humedad |
| 5. Posición de bloqueo | 20. Abertura de descarga de clavos | 32. Calor |
| 6. Posición de desbloqueo | 21. Guía delantera del pasador de arrastre | 33. Tapa |
| 7. Palanca de bloqueo | 22. Adaptador de boquilla | 34. Grifo de drenaje |
| 8. Disparador | 23. Saliente | 35. Filtro de aire |
| 9. Elemento de contacto | 24. Soporte | 36. Aceitero |
| 10. Regulador | 25. Adaptador de boquilla | 37. Aceite de herramientas neumáticas |
| 11. Demasiado profundo | 26. Coloque primero el elemento de contacto contra la pieza de trabajo. | 38. Disolvente |
| 12. A ras de la superficie | 27. Soporte | 39. Estufa |
| 13. Demasiado poco profundo | | |
| 14. Palanca | | |
| 15. Cubierta deslizante | | |

ESPECIFICACIONES

| | |
|--------------------------------|----------------------------------|
| Modelo | AF550H |
| Presión del aire | 0,98 - 2,26 MPa (9,8 - 22,6 bar) |
| Longitud del clavo | 15 mm - 55 mm |
| Capacidad de clavos | 100 piezas |
| Dimensiones (La X Al X An) | 228 mm X 61 mm X 235 mm |
| Diámetro mínimo de la manguera | 5,0 mm o más |
| Peso neto | 1,2 Kg |

- Debido a nuestro programa continuo de investigación y desarrollo, las especificaciones aquí descritas están sujetas a cambios sin previo aviso.
- Nota: Las especificaciones pueden ser diferentes de un país a otro.

Símbolos

END106-2

Se utilizan los siguientes símbolos para el equipo. Asegúrese de que comprende su significado antes del uso.



..... Lea el manual de instrucciones.



..... Utilice gafas de seguridad.



..... No utilizar en andamios, escaleras de mano.

INSTRUCCIONES DE SEGURIDAD IMPORTANTES

ENB110-1

ADVERTENCIA: CUANDO SE UTILICE ESTA HERRAMIENTA SIEMPRE DEBEN TOMARSE PRECAUCIONES DE SEGURIDAD PARA REDUCIR EL RIESGO DE LESIONES PERSONALES, INCLUYENDO LAS SIGUIENTES:

LEA TODAS LAS INSTRUCCIONES

- Por su seguridad personal y para una utilización y un mantenimiento correctos de la herramienta, lea este manual de instrucciones antes de utilizar la herramienta.
- Utilice siempre gafas de seguridad para proteger sus ojos del polvo o de lesiones provocadas por clavos.
ADVERTENCIA:
Es responsabilidad del empleador garantizar que los operarios de la herramienta y otras personas de la zona de trabajo inmediata utilicen equipo de protección ocular.
- Para Australia y Nueva Zelanda solamente Utilice siempre gafas de seguridad y una careta protectora para proteger sus ojos del polvo o de lesiones provocadas por clavos. Las gafas de seguridad y la careta protectora deben cumplir con los requisitos de AS/NZS 1336.
ADVERTENCIA:
Es responsabilidad del empleador garantizar que los operarios de la herramienta y otras personas de la zona de trabajo inmediata utilicen equipo de protección ocular. **(Fig. 1)**
- Utilice protección para la cabeza y protección para los oídos para protegerlos de los ruidos de escape. Asimismo, lleve ropa ligera pero no suelta. Las mangas deben estar abotonadas o arremangadas. No debe llevarse corbata.

- Es peligroso apresurar el trabajo o forzar la herramienta.
Maneje la herramienta con cuidado. No la utilice bajo la influencia del alcohol, drogas o sustancias similares.
- Pautas generales de manejo de la herramienta:
 - (1) Asuma siempre que la herramienta contiene clavos.
 - (2) No se apunte a usted mismo ni a nadie más con la herramienta, tanto si contiene clavos como si no.
 - (3) No active la herramienta a menos que la tenga puesta firmemente contra la pieza de trabajo.
 - (4) Trate a la herramienta como un útil de trabajo.
 - (5) No juegue con la herramienta.
 - (6) No coja ni transporte la herramienta con el dedo en el disparador.
 - (7) No cargue clavos en la herramienta estando cualquiera de los controles de operación activado.
 - (8) No utilice la herramienta con ninguna otra fuente de alimentación distinta a la especificada en las instrucciones de funcionamiento/seguridad de la herramienta.
- No se debe utilizar una herramienta que no funcione debidamente.
- Pueden saltar chispas cuando se utiliza la herramienta. No utilice la herramienta cerca de materiales inflamables o volátiles, como gasolina, disolvente, pintura, gas, adhesivos, etc., ya que pueden encenderse, explotar y causar lesiones graves.
- El área debe estar suficientemente iluminada para asegurar una utilización segura. El área deberá estar despejada y libre de desechos. Tenga especial cuidado de mantener los pies sobre suelo firme y en equilibrio.
- En la proximidad solamente deben estar aquellas personas implicadas en el trabajo. Especialmente los niños deben mantenerse alejados en todo momento.
- Puede haber reglamentos locales concernientes al ruido que habrá que cumplir manteniendo los niveles de ruido dentro de los límites establecidos. En ciertos casos, se deberán utilizar celosías para contener el ruido.
- No juegue con el elemento de contacto: previene la descarga accidental, por lo que se debe mantener activado y colocado en su sitio. También es muy peligroso fijar el disparador en la posición ON (activado). No intente nunca atar el disparador. No utilice la herramienta si cualquier porción de los controles de operación de la herramienta está inoperable, desconectada, modificada, o no funciona correctamente.
- Utilice la herramienta dentro de la presión de aire especificada de 0,98 - 2,26 MPa (9,8 - 22,6 bares) por seguridad y para prolongar la vida de la herramienta. No exceda la presión de funcionamiento máxima recomendada de 2,26 MPa (22,6 bar). La herramienta no debe conectarse a una fuente cuya presión pueda sobrepasar 3,39 MPa (33,9 bar).
- Asegúrese de que la presión suministrada por el sistema de aire comprimido no exceda la presión máxima permitida de la clavadora de clavos. Ajuste la presión de aire inicialmente a un valor inferior a la presión permitida recomendada (consulte las ESPECIFICACIONES).
- No utilice nunca la herramienta con nada que no sea aire comprimido. Si se utiliza gas (dióxido de carbono, oxígeno, nitrógeno, hidrógeno, aire, etc.) o gas combustible (hidrógeno, propano, acetileno, etc.) embotellado como fuente de alimentación para esta herramienta, la herramienta explotará y ocasionará graves heridas.
- Compruebe siempre la herramienta antes de su uso para ver su estado general y si hay tornillos sueltos. Apriete según sea necesario.
- Asegúrese de que todos los sistemas de seguridad están en condiciones de funcionamiento antes de su utilización. La herramienta no debe funcionar si sólo se tira del disparador o si sólo se presiona el brazo de contacto contra la madera. Solamente debe funcionar cuando se realicen ambas acciones. Haga una prueba sin clavos cargados y con el empujador en la posición totalmente presionada para ver si hay algún posible fallo de funcionamiento.
- Asegúrese de que el disparador esté bloqueado cuando ponga la palanca de bloqueo en la posición LOCK (bloqueo).
- Compruebe las paredes, techos, suelos, techumbres y elementos similares con cuidado para evitar descargas eléctricas, fugas de gas, explosiones, etc., ocasionadas por el contacto con cables con tensión, conductos o tuberías de gas.
- Utilice solamente los clavos especificados en este manual. La utilización de otros clavos puede ocasionar un mal funcionamiento de la herramienta.
- No utilice nunca clavadoras de clavos marcadas con el símbolo de "No utilizar en andamios, escaleras de mano" para aplicaciones específicas, por ejemplo:
 - cuando el cambio de un lugar de clavado a otro implique la utilización de andamios, escaleras, escaleras de mano, o construcciones en forma de escalera, por ejemplo, listones de techumbres;
 - cierre de cajas o cajones;
 - colocación de sistemas de seguridad de transportes, por ejemplo, en vehículos y vagones.
- No permita que personas no instruidas utilicen la herramienta.
- Asegúrese de que no haya nadie cerca antes de empezar a clavar. No intente clavar nunca desde el interior y exterior al mismo tiempo. Los clavos podrían atravesar los materiales y/o salir disparados, presentando un grave peligro.
- Observe el suelo donde pisa y mantenga su equilibrio con la herramienta. Asegúrese de que no haya nadie debajo cuando trabaje en lugares elevados, y sujete la manguera de aire para evitar peligros si se produjera un tirón o enganche repentino.
- En tejados y otros lugares elevados, clave a medida que avanza. Es fácil perder el equilibrio si clava moviéndose hacia atrás. Cuando clave contra superficies perpendiculares, clave de arriba hacia abajo. Haciéndolo de esta forma podrá realizar la operación de clavado fatigándose menos.
- Si clava equivocadamente encima de otro clavo o golpea un nudo en la madera, el clavo se torcerá o se atascará la herramienta. El clavo puede salir lanzado y golpear a alguien, o la propia herramienta puede reaccionar peligrosamente. Ponga los clavos con cuidado.

- No deje la herramienta cargada ni el compresor de aire bajo presión durante largo tiempo al sol. Asegúrese de que no entre polvo, arena, virutas ni materias extrañas en la herramienta en el lugar donde la deje.
- No apunte con el puerto de expulsión a nadie de su alrededor. Mantenga las manos y pies alejados del área del puerto de expulsión.
- Cuando esté conectada la manguera de aire, no transporte la herramienta con el dedo en el disparador ni se la pase a otra persona en este estado. El disparo accidental puede ser extremadamente peligroso.
- Maneje la herramienta con cuidado, ya que dentro de la herramienta hay una presión muy alta que puede ser peligrosa si se produce una grieta debido a un manejo brusco (dejando caer o golpeando la herramienta). No intente grabar ni esculpir en la herramienta.
- Pare inmediatamente la operación de clavado si nota algo incorrecto o fuera de lo normal en la herramienta.
- Desconecte siempre la manguera de aire y extraiga todos los clavos:
 1. Cuando deje la herramienta sin atender.
 2. Antes de realizar cualquier mantenimiento o reparación.
 3. Antes de despejar un atasco.
 4. Antes de mover la herramienta a un nuevo lugar.
- Realice la limpieza y el mantenimiento inmediatamente después de terminar el trabajo. Mantenga la herramienta en perfectas condiciones. Lubrique las partes móviles para evitar la oxidación y minimizar el desgaste relacionado con la fricción. Quite todo el polvo de dichas partes.
- Cuando no esté utilizando la herramienta, bloquee siempre el disparador girando la palanca de bloqueo a la posición LOCK (bloqueo).
- No modifique la herramienta sin la autorización de Makita.
- Pregunte en centros de servicio autorizados por Makita sobre la inspección periódica de la herramienta.
- Para conservar la SEGURIDAD y la FIABILIDAD del producto, los trabajos de reparación y otros trabajos de mantenimiento deben ser realizados en centros de servicio autorizados de Makita, utilizando siempre repuestos Makita.
- Utilice solamente el aceite de herramientas neumáticas especificado en este manual.
- Nunca conecte la herramienta a una línea de aire comprimido en la que la presión máxima de la herramienta no se pueda superar en un 10%. Asegúrese de que la presión suministrada por el sistema de aire comprimido no exceda la presión máxima permitida de la clavadora de clavos. Ajuste la presión de aire inicialmente a un valor inferior a la presión permitida recomendada.
- No intente mantener el elemento de contacto del disparador presionado con cinta adhesiva o alambre. Puede sufrir lesiones graves o morir.
- Conecte siempre el elemento de contacto como se indica en este manual. Se pueden clavar clavos accidentalmente si el mecanismo de seguridad no funciona correctamente.

GUARDE ESTAS INSTRUCCIONES.

INSTALACIÓN

Selección del compresor (Fig. 2)

- Seleccione un compresor que tenga una presión y salida de aire amplias para asegurar un funcionamiento eficiente. El gráfico muestra la relación entre la frecuencia de clavado, la presión aplicable y la salida de aire del compresor. Así, por ejemplo, si el clavado se realiza a una frecuencia de aproximadamente 60 veces por minuto a una compresión de 1,76 MPa (17,6 bares), se requerirá un compresor con una salida de aire de más de 45 L/min. Cuando la presión del suministro de aire exceda la presión nominal de la herramienta se deberán utilizar reguladores de presión para limitar la presión de aire a la presión nominal de la herramienta. De no hacerlo, el operario de la herramienta o las personas cercanas pueden sufrir graves lesiones.

Selección de la manguera de aire

ADVERTENCIA:

- Utilice una manguera de aire resistente a las altas presiones. La presión de aire utilizada para esta clavadora de clavos es superior a la de otras clavadoras para acabados generales. (Fig. 3)
- Utilice una manguera de aire tan grande y corta como sea posible para asegurar una operación de clavado continua y eficiente.

PRECAUCIÓN:

- Una salida de aire baja del compresor, o una manguera de aire larga o de diámetro más pequeño en relación con la frecuencia de clavado podrá ocasionar una disminución de la capacidad de clavado de la herramienta.

Lubricación (Fig. 4)

Para asegurar el máximo rendimiento, instale un conjunto de aire (aceitero, regulador, filtro de aire) lo más cerca posible de la herramienta. Ajuste el aceitero de forma que provea una gota de aceite cada 50 clavos. Cuando no se utilice un conjunto de aire, engrase la herramienta con aceite de herramientas neumáticas poniendo 2 (dos) o 3 (tres) gotas en el conector de aire. Esto deberá hacerse antes y después del uso. Para una lubricación apropiada, la herramienta deberá ser disparada unas cuantas veces después de haber introducido el aceite de herramientas neumáticas. (Fig. 5)

DESCRIPCIÓN DEL FUNCIONAMIENTO

PRECAUCIÓN:

- Bloquee siempre el disparador y desconecte la manguera de aire antes de ajustar o comprobar una función de la herramienta.

Comprobaciones previas a su uso

ADVERTENCIA:


- Nunca utilice la clavadora de clavos si los elementos de seguridad no están en perfecto estado de funcionamiento. Si la utiliza en esas condiciones puede provocar lesiones personales y daños.



La clavadora no dispara clavos sin activar tanto el disparador como los elementos de seguridad. Antes de empezar a clavar, compruebe que los sistemas de seguridad de la clavadora de clavos funcionen correctamente siguiendo el procedimiento que se muestra a continuación. (Fig. 6)

1. Asegúrese de que no haya clavos cargados en la herramienta antes de su uso.
2. Conecte la manguera de aire a la herramienta.
3. Ajuste la palanca de bloqueo en la posición de desbloqueo.
4. Tire de la cubierta deslizante del depósito alimentador hacia usted.
5. Tire solamente del disparador.
6. Aparte el dedo del disparador y coloque el elemento contra la pieza de trabajo de forma segura.
7. Aparte el elemento de seguridad de la pieza de trabajo, tire del disparador y coloque el elemento de seguridad contra la pieza de trabajo.
8. Si la clavadora de clavos funciona entre los pasos 5 - 7, los elementos de seguridad no funcionan correctamente. (Fig. 7 y 8)

Uso del cierre del disparador

La herramienta tiene un cierre del disparador para evitar accidentes causados por una puesta en marcha accidental. El cierre del bloqueo hace que el disparador no se pueda mover e impide que la herramienta se dispare.

Para bloquear el disparador, ajuste la palanca de bloqueo en la posición "LOCK 

Antes de empezar a clavar, ajuste la palanca de bloqueo en la posición "FREE ". Cuando no se utilice, siempre se debe ajustar en la posición "LOCK " y se debe desconectar la manguera de la herramienta. (Fig. 9 y 10)

Ajuste de la profundidad de clavado

PRECAUCIÓN:

- Bloquee siempre el disparador y desconecte la manguera de aire antes de realizar cualquier trabajo en la herramienta. (Fig. 11 y 12)

Para ajustar la profundidad de clavado, gire el regulador. La profundidad de clavado será mayor cuando el regulador se gire completamente en la dirección A, como se muestra en la ilustración. Será menor cuando el regulador se gire en la dirección B.

Gancho (Fig. 13)

PRECAUCIÓN:

- Siempre debe bloquear y desconectar la manguera antes de cambiar la posición de instalación del gancho y utilizarlo.
- No cuelgue nunca la herramienta en un lugar elevado, a la cintura o en una superficie potencialmente inestable.

El gancho es útil para colgar la herramienta temporalmente.

Puede instalarse en cualquier lado de la herramienta.

Para cambiar la posición de instalación, retire el tornillo del gancho. Coloque el gancho en la posición deseada y fíjelo con el tornillo.

MONTAJE

PRECAUCIÓN:

- Bloquee siempre el disparador y desconecte la manguera de aire antes de realizar un trabajo en la herramienta.
- Cargue clavos del mismo tipo, tamaño y longitud en el depósito alimentador.

Carga de la clavadora de clavos

PRECAUCIÓN:

- Bloquee siempre el disparador y desconecte la manguera antes de cargar la clavadora de clavos. (Fig. 14)

Presione la palanca y abra la cubierta deslizante del depósito alimentador tirando hacia usted mientras ejerce presión sobre la palanca. (Fig. 15)

Alinee las puntas de los clavos con las ranuras de la parte inferior del depósito alimentador y empuje todo el conjunto de clavos hacia la apertura de disparo. (Fig. 16)

Cierre la puerta deslizante firmemente.

Cierre la puerta deslizante.

Adaptador de boquilla

PRECAUCIÓN:

Bloquee siempre el disparador y desconecte la manguera antes de cargar la clavadora de clavos. (Fig. 17)

Para evitar que la superficie de la pieza de trabajo sufra arañazos o se dañe, utilice el adaptador de boquilla.

Antes de acoplar el adaptador de boquilla, retire dos tornillos que fijan la guía delantera del pasador de empuje con la llave hexagonal.

Acople el adaptador de boquilla de forma que su saliente encaje en la ranura del elemento de contacto. (Fig. 18)

Guarde el adaptador de la boquilla cuando no lo utilice. El lugar de almacenamiento se encuentra en la parte posterior de la cubierta deslizante.

Abra ligeramente la cubierta deslizante y ajuste el adaptador de boquilla con la cubierta deslizante ligeramente abierta y, a continuación, cierre la cubierta deslizante. Se puede almacenar un total de dos adaptadores de boquilla. (Fig. 19)

Para extraer el adaptador de boquilla del soporte fácilmente, empújelo con una llave hexagonal desde la parte posterior de la cubierta deslizante.

Conexión de la manguera de aire

PRECAUCIÓN:

- Cuando esté conectando la manguera de aire, nunca coloque un dedo sobre el disparador.

Bloquee el disparador y encaje el acoplador de aire de la manguera de aire en el conector de aire de la clavadora de clavos. Asegúrese de que el acoplador de aire quede bloqueado firmemente en posición cuando lo instale en el conector de aire. Se deberá instalar un acoplamiento de manguera en o cerca de la herramienta de tal forma que el depósito de presión se descargue al desconectar el acoplamiento de suministro de aire.

MANEJO

PRECAUCIÓN:

- Asegúrese siempre de colocar el elemento de contacto contra la pieza de trabajo en primer lugar, antes de tirar del disparador. (Fig. 20)

Para clavar, ajuste la palanca de bloqueo en la posición "FREE ⇐".

Coloque el elemento de contacto contra la pieza y a continuación tire del disparador. (Fig. 21)

Mecanismo contra el disparo en vacío

Esta herramienta está equipada con un mecanismo que impide el disparo en vacío.

Cuando no se ejerce presión sobre la herramienta se impide que se active. Cargue más clavos para reanudar las operaciones.

Atasco en la clavadora de clavos

PRECAUCIÓN:

- Bloquee siempre el disparador y desconecte la manguera de aire y retire los clavos del depósito alimentador antes de despejar un atasco. (Fig. 22)

Abra la cubierta deslizante y extraiga clavos del depósito alimentador.

Pulse el extremo superior corto de la llave hexagonal y extráigalo del soporte. (Fig. 23)

Retire con una llave hexagonal los dos tornillos que fijan la guía delantera del pasador de empuje.

Retire los clavos atascados de la ranura de la guía de clavos que queda a la vista.

Cuando resulte difícil extraer los clavos atascados, retire con la llave hexagonal los dos tornillos que fijan la guía trasera del pasador de empuje. A continuación, extráigalos.

Clavos (Fig. 24)

Maneje las bobinas de clavos y sus cajas con cuidado. Si la bobina de clavos ha sido manejada bruscamente, los clavos podrán estar deformados o sus conectores rotos y ocasionar una deficiente alimentación de clavos.

Evite almacenar clavos en un lugar muy húmedo o caluroso o en un lugar expuesto a la luz solar directa. (Fig. 25)

MANTENIMIENTO

PRECAUCIÓN:

- Bloquee siempre el disparador y desconecte la manguera antes de intentar realizar una inspección o mantenimiento.

Mantenimiento de la clavadora (Fig. 26)

Compruebe siempre la herramienta antes de su uso para ver su estado general y si hay tornillos sueltos. Apriete según sea necesario. (Fig. 27)

Con la herramienta desconectada, haga una inspección diaria para asegurarse del libre movimiento del elemento de contacto y el disparador. No utilice la herramienta si el elemento de contacto o el disparador se bloquea o se adhiere.

Drenaje de la herramienta (Fig. 28)

Desconecte la manguera de la herramienta. Coloque la herramienta de forma que la cara de acoplamiento del aire mire hacia el suelo. Drene tanto como sea posible.

Limpieza de la herramienta

Retire la suciedad con un limpiador de aire comprimido.

Tapa (Fig. 29)

Cuando no utilice la herramienta, bloquee el disparador y desconecte la manguera. A continuación, tape el puerto de acoplamiento de aire. (Fig. 30)

Cuando no vaya a utilizar la herramienta durante un período de tiempo prolongado, lubríquela utilizando aceite de herramientas neumáticas y almacénela en un lugar seguro. Evite la exposición a la luz solar directa y/o los ambientes húmedos o calurosos (Fig. 31)

Mantenimiento del compresor, el conjunto de aire y la manguera de aire (Fig. 32 y 33)

Después de una operación, drene siempre el tanque compresor y el filtro de aire. Si permite que entre humedad en la herramienta, podrá provocar un rendimiento deficiente y un posible fallo de la herramienta.

Compruebe regularmente si hay suficiente aceite de herramientas neumáticas en el aceiteiro del conjunto de aire. Si no se mantiene una suficiente lubricación las juntas tóricas se desgastarán rápidamente. (Fig. 34)

Mantenga la manguera de aire alejada del calor (más de 60 °C, más de 140 °F) y de sustancias químicas (disolvente, ácidos fuertes o alcalinos). Además, tienda la manguera alejada de obstáculos en los que pueda engancharse peligrosamente durante la operación.

Las mangueras también deberán tenderse alejadas de cantos cortantes y áreas que puedan ocasionar daños o abrasión a la manguera. (Fig. 35)

Para conservar la SEGURIDAD y la FIABILIDAD del producto, los trabajos de reparación y otros trabajos de mantenimiento y ajuste deberán ser realizados en centros de servicio autorizados de Makita, utilizando siempre repuestos Makita.

ACCESORIOS

PRECAUCIÓN:

- Se recomienda el uso de estos accesorios o complementos con la herramienta Makita especificada en este manual. El uso de otros accesorios o complementos puede conllevar el riesgo de ocasionar daños corporales. Utilice los accesorios o complementos solamente para su fin establecido.

Si necesita cualquier ayuda para obtener más información relativa a estos accesorios, pregunte al centro de servicio Makita local.

- Clavos
- Mangueras de aire
- Gafas de seguridad

Ruido y vibración

Los niveles de ruido típicos de ponderación A son

nivel de presión sonora: 74 dB (A)

nivel de potencia sonora: 87 dB (A).

Utilice protección para los oídos

El valor ponderado de aceleración no es superior a

2,5 m/s²

Incertidumbre (K): 1,5 m/s²

Estos valores se han obtenido conforme a EN792.

DECLARACIÓN DE CONFORMIDAD DE LA CE

ENH013-5

Declaramos bajo nuestra exclusiva responsabilidad que

este producto cumple con los siguientes estándares de

documentos estandarizados; EN792 de acuerdo con las

directivas del Consejo 98/37/EC.

CE 2008



Tomoyasu Kato
Director

Fabricante responsable:

Makita Corporation

3-11-8, Sumiyoshi-cho, Anjo, Aichi, JAPÓN

Representante autorizado en Europa:

Makita International Europe Ltd.

Michigan Drive, Tongwell, Milton Keynes, Bucks MK15

8JD, ENGLAND

PORTUGUÊS

Descrição geral

- | | | |
|--|--|----------------------------|
| 1. Óculos de protecção | 14. Alavanca | 27. Suporte |
| 2. Visor de protecção | 15. Tampa corredeira | 28. Chave sextavada |
| 3. Débito de ar por minuto do compressor | 16. Carregador | 29. Guia da broca traseira |
| 4. Frequência de pregagem (vezes/min.) | 17. Pregos | 30. Parafusos |
| 5. Posição de bloqueio | 18. Ranhura para a tampa corredeira | 31. Húmido |
| 6. Posição de libertada | 19. Ranhuras no fundo do carregador | 32. Quente |
| 7. Alavanca de bloqueio | 20. Abertura da descarga de pregos | 33. Tampa |
| 8. Gatilho | 21. Guia da broca dianteira | 34. Bujão |
| 9. Elemento de contacto | 22. Adaptador de ponta | 35. Filtro de ar |
| 10. Regulador | 23. Saliência | 36. Lubrificador |
| 11. Demasiado profundo | 24. Suporte | 37. Óleo pneumático |
| 12. Alinhado | 25. Adaptador de ponta | 38. Diluente |
| 13. Demasiado superficial | 26. Em primeiro lugar, coloque o elemento de contacto contra a peça de trabalho. | 39. Fogão |

ESPECIFICAÇÕES

| Modelo | AF550H |
|------------------------------|----------------------------------|
| Pressão de ar | 0,98 - 2,26 MPa (9,8 - 22,6 bar) |
| Comprimento dos pregos | 15 mm - 55 mm |
| Capacidade de pregos | 100 unidades |
| Dimensões (C X A X L) | 228 mm X 61 mm X 235 mm |
| Diâmetro mínimo da mangueira | 5,0 mm ou mais |
| Peso líquido | 1,2 Kg |

- Devido à pesquisa e desenvolvimento constantes, estas especificações estão sujeitas a alteração sem aviso prévio.
- Nota: estas especificações podem diferir de país para país.

Símbolos

END106-2

Descrição dos símbolos utilizados no equipamento.

Certifique-se de que compreende o seu significado, antes da utilização.



..... Leia o manual de instruções.



..... Use óculos de segurança.



..... Não utilizar em andaimes ou escadas.

INSTRUÇÕES DE SEGURANÇA IMPORTANTES

ENB110-1

AVISO: DURANTE A UTILIZAÇÃO DESTA FERRAMENTA, DEVEM SER CUMPRIDAS AS PRECAUÇÕES DE SEGURANÇA BÁSICAS, PARA REDUZIR O RISCO DE FERIMENTOS, INCLUINDO AS SEGUINTE:

LEIA TODAS AS INSTRUÇÕES.

- Para garantir a segurança pessoal e um funcionamento e manutenção correctos da ferramenta, leia este manual de instruções antes de utilizar a ferramenta.
- Use sempre óculos de segurança para proteger os seus olhos contra pó ou ferimentos devido aos pregos.

AVISO:

É da responsabilidade da entidade empregadora garantir o uso do equipamento de protecção para os olhos por parte dos operadores e outras pessoas perto da área de trabalho.

- Apenas para a Austrália e Nova Zelândia Use sempre óculos de segurança e o visor de protecção para proteger os seus olhos contra pó ou ferimentos devido aos pregos. Os óculos de segurança e o visor de protecção devem respeitar os requisitos da norma AS/NZS 1336.

AVISO:

É da responsabilidade da entidade empregadora garantir o uso do equipamento de protecção para os olhos por parte dos operadores e outras pessoas perto da área de trabalho. **(Fig. 1)**

- Use protecção para os ouvidos para os proteger contra os ruídos de trabalho e protecção para a cabeça. Use roupa leve mas não folgada. As mangas devem estar apertadas ou enroladas. Não devem ser usadas gravatas.
- Fazer o trabalho à pressa ou forçar a ferramenta é perigoso. Segure com cuidado na ferramenta. Não utilize quando estiver sob a influência de álcool, medicamentos ou substâncias semelhantes.
- Linhas orientadoras para a utilização da ferramenta:
 - (1) Presuma sempre que a ferramenta contém pregos.

- (2) Não aponte a ferramenta na sua direcção ou de outra pessoa, independentemente de conter pregos ou não.
 - (3) Não active a ferramenta a não ser que a ferramenta seja colocada firmemente contra a peça de trabalho.
 - (4) Respeite a ferramenta como uma ferramenta de trabalho.
 - (5) Não é um brinquedo.
 - (6) Não segure ou transporte a ferramenta com um dedo no gatilho.
 - (7) Não carregue a ferramenta com pregos quando qualquer um dos comandos de funcionamento estiver activado.
 - (8) Não utilize a ferramenta com qualquer outra fonte de alimentação além da especificada nas instruções de funcionamento/segurança da ferramenta.
- Não deve ser utilizada uma ferramenta que não funcione correctamente.
 - Por vezes saltam faíscas quando a ferramenta é utilizada. Não utilize a ferramenta perto de materiais voláteis e inflamáveis, tais como gasolina, diluente, tinta, gás, adesivos, etc., uma vez que estes se incendiarão e explodirão, provocando ferimentos graves.
 - A área deve estar suficientemente iluminada para garantir um funcionamento seguro. A área deve estar desimpedida e limpa. Tenha especial atenção em manter um bom apoio e equilíbrio.
 - Apenas as pessoas envolvidas no trabalho se devem encontrar nas proximidades. As crianças devem estar sempre afastadas.
 - Poderão existir normas locais relativamente ao ruído, que devem ser cumpridas mantendo os níveis de ruído dentro dos limites indicados. Em determinados casos, devem ser utilizados elementos de isolamento acústico.
 - Não brinque com o elemento de contacto: evita o accionamento accidental, não devendo ser removido. Fixar o gatilho na posição ON (ligado) é igualmente muito perigoso. Nunca tente apertar o gatilho. Não utilize a ferramenta se qualquer parte dos comandos estiver inoperacional, desligada, alterada ou a funcionar incorrectamente.
 - Utilize a ferramenta dentro da pressão de ar especificada de 0,98 - 2,26 MPa (9,8 - 22,6 bar) para garantir a segurança e uma maior longevidade da ferramenta. Não exceda a pressão de funcionamento máxima recomendada de 2,26 MPa (22,6 bar). A ferramenta não deve ser ligada a uma fonte em que a pressão exceda potencialmente 3,39 MPa (33,9 bar).
 - Certifique-se de que a pressão fornecida pelo sistema de ar comprimido não excede a pressão máxima permitida da ferramenta de inserção de pregos. Ajuste inicialmente a pressão do ar para o valor mínimo da pressão permitida recomendada (consulte as ESPECIFICAÇÕES).
 - Nunca use a ferramenta a não ser com ar comprimido. Se utilizar gás engarrafado (dióxido de carbono, oxigénio, nitrogénio, hidrogénio, ar, etc.) ou gás combustível (hidrogénio, propano, acetileno, etc.) como fonte de alimentação, a ferramenta explodirá causando ferimentos graves.
 - Antes de utilizar, verifique sempre a condição geral da ferramenta e inspecione para ver se há parafusos soltos. Aperte-os como necessário.
 - Certifique-se de que todos os sistemas de segurança estão a funcionar adequadamente antes de utilizar a ferramenta. A ferramenta não deve funcionar caso prima apenas o gatilho ou pressione apenas o elemento de contacto contra a madeira. Esta deve funcionar apenas ao executar ambas as acções. Faça um teste sem pregos e com o impulsor na posição de apertado para verificar se há problemas no funcionamento.
 - Certifique-se de que o gatilho está travado quando a alavanca de bloqueio estiver na posição de travada (LOCK).
 - Inspeccione cuidadosamente as paredes, tecto, pisos e telhados para evitar o risco de choque eléctrico, fuga de gás, explosões, etc. que podem resultar do contacto dos pregos com fios ligados, condutos ou canos de gás.
 - Utilize apenas pregos especificados neste manual. A utilização de pregos diferentes pode causar o mau funcionamento da ferramenta.
 - Nunca utilize máquinas de pregar marcadas com a inscrição "Não utilizar em andaimes ou escadas" para aplicações específicas, por exemplo:
 - quando ao mudar de uma posição de trabalho para outra for preciso utilizar andaimes, degraus, escadas usadas em construção, por exemplo, ripas de telhado;
 - ao fechar caixas ou engradados;
 - ao fixar sistemas de segurança de transporte, por exemplo, em veículos ou vagões.
 - Não permita que pessoas não familiarizadas utilizem a ferramenta.
 - Assegure-se de que não há ninguém nas proximidades antes de pregar. Nunca tente pregar do lado de dentro e do lado de fora ao mesmo tempo. Os pregos podem atravessar a madeira e/ou sair disparados, apresentando um perigo muito grave.
 - Tenha cuidado e mantenha-se numa posição firme e equilibrada durante a utilização da ferramenta. Certifique-se de que ninguém está por baixo quando trabalhar em locais altos e fixe a mangueira de ar para evitar acidentes caso a mesma se enrosque em algo ou haja um movimento brusco e súbito.
 - Ao trabalhar em telhados ou outros locais altos, pregue movendo-se para a frente. É fácil perder o equilíbrio se pregar movendo-se para trás. Quando está a pregar contra superfícies perpendiculares, pregue de cima para baixo. Assim, poderá executar a operação de pregar com menos cansaço.
 - O prego poderá entortar-se ou a ferramenta poderá encravar se pregar sobre outro prego por engano ou se atingir um nó da madeira. O prego poderá sair disparado e atingir alguém ou a própria ferramenta pode reagir de modo perigoso. Coloque os pregos com cuidado.
 - Não deixe a ferramenta carregada ou o compressor de ar com pressão sob o sol durante muito tempo. Certifique-se de que poeira, areia, pedaços de madeira ou outros objectos estranhos não entram na ferramenta onde a deixar.

- Não aponte a porta de ejeção a ninguém que se encontre nas proximidades. Mantenha as mãos e os pés afastados da área da porta de ejeção.
- Se a mangueira de ar estiver conectada, não transporte a ferramenta com o dedo no gatilho nem a entregue a alguém nessa condição. O disparo acidental pode ser extremamente perigoso.
- Manuseie a ferramenta com cuidado dado que há pressão muito alta dentro da mesma e pode ser perigoso se houver uma fissura causada por um manuseamento impróprio (derrubar ou bater a mesma). Não tente entalhar ou esculpir na ferramenta.
- Pare de pregar imediatamente se notar qualquer problema ou algo anormal na ferramenta.
- Desligue sempre a mangueira de ar e retire todos os pregos:
 1. Quando sem vigilância.
 2. Antes de efectuar qualquer operação de manutenção ou reparação.
 3. Antes de eliminar qualquer obstrução.
 4. Antes de levar a ferramenta para um novo local.
- Efectue a limpeza e a manutenção logo após terminar o trabalho. Mantenha a ferramenta em óptimas condições. Lubrifique as peças giratórias para evitar que fiquem enferrujadas e para minimizar o desgaste devido à fricção. Limpe a poeira das peças.
- Quando não está a utilizar a ferramenta, trave sempre o gatilho girando a alavanca de bloqueio para a posição de travada (LOCK).
- Não modifique a ferramenta sem autorização prévia da Makita.
- Solicite a inspeção periódica da ferramenta nos centros de assistência autorizados Makita.
- Para manter os níveis de **SEGURANÇA** e **FIABILIDADE** definidos para este produto, as reparações e operações de manutenção devem ser executadas por centros de assistência Makita autorizados, utilizando sempre peças de substituição da Makita.
- Utilize apenas o lubrificante para ferramentas pneumáticas especificado neste manual.
- Nunca ligue a ferramenta a um linha de ar comprimido na qual a pressão máxima permitida da ferramenta não possa ser excedida em 10%. Certifique-se de que a pressão fornecida pelo sistema de ar comprimido não excede a pressão máxima permitida da ferramenta de inserção de pregos. Ajuste inicialmente a pressão do ar para o valor mínimo de pressão permitida recomendada.
- Não tente manter o elemento de contacto do gatilho pressionado com fita-cola ou fios. Pode provocar morte ou ferimentos graves.
- Verifique sempre o elemento de contacto de acordo com as instruções constantes neste manual. Os pregos podem não penetrar o suficiente se o mecanismo de segurança não estiver a funcionar correctamente.

GUARDE ESTAS INSTRUÇÕES.

INSTALAÇÃO

Seleção do compressor (Fig. 2)

- Seleccione um compressor que tenha ampla pressão e débito de ar para garantir uma operação com eficiência de custo. O gráfico ilustra a relação entre a frequência de pregagem, pressão aplicável e débito do ar comprimido. Por exemplo, se pregar a uma taxa de aproximadamente 60 vezes por minuto, a uma compressão de 1,76 MPa (17,6 bar), é necessário um compressor com saída de ar de 45 L/min. Se a pressão do ar fornecido exceder a pressão indicada na ferramenta, será necessário utilizar reguladores de pressão para limitar a pressão do ar de acordo com a pressão indicada para a ferramenta. Caso contrário, poderá resultar em ferimentos graves no operador da ferramenta ou em outras pessoas nas proximidades.

Seleccionar a mangueira de ar

AVISO:

- Utilize uma mangueira de ar robusta e de alta pressão. A pressão de ar utilizada nesta máquina de pregar é superior à de outras máquinas de pregar de utilização geral. (Fig. 3)
- Utilize uma mangueira de ar tão larga e tão curta quanto possível para garantir uma operação contínua e eficiente.

PRECAUÇÃO:

- Um débito de ar reduzido do compressor ou uma mangueira de ar longa e com diâmetro pequeno em relação à frequência de pregagem pode diminuir a capacidade de funcionamento da ferramenta.

Lubrificação (Fig. 4)

Para garantir o máximo desempenho, instale um conjunto de ar (recipiente de óleo, regulador e filtro de ar) o mais próximo possível da ferramenta. Ajuste o lubrificador de forma que forneça uma gota de óleo para cada 50 pregos.

Se não utilizar um conjunto de ar, lubrifique a ferramenta com lubrificante para ferramentas pneumáticas colocando 2 (duas) ou 3 (três) gotas no conector de ar. Isto deve ser feito antes e após a utilização. Para uma lubrificação adequada, a ferramenta deve ser accionada algumas vezes após a colocação do lubrificante para ferramentas pneumáticas. (Fig. 5)

DESCRIÇÃO DO FUNCIONAMENTO

PRECAUÇÃO:

- Bloqueie sempre o gatilho e desligue a mangueira antes de regular ou verificar a função na ferramenta.

Verificar antes da utilização

AVISO:




- Nunca utilize a máquina de pregar quando os elementos de segurança não estiverem a funcionar correctamente. Utilizá-la nesta condição pode provocar ferimentos pessoais e danos.

Esta máquina de pregar não dispara pregos sem que estejam activados os elementos de segurança e o gatilho.

Antes de pregar, verifique se os sistemas de segurança da máquina de pregar estão a funcionar correctamente, seguindo o procedimento baixo. **(Fig. 6)**

1. Antes de utilizar a ferramenta, certifique-se de que não estão carregados pregos.
2. Ligue a mangueira de ar à ferramenta.
3. Coloque a alavanca de bloqueio na posição de libertada.
4. Puxe a tampa corredeira do carregador na sua direcção.
5. Apenas puxe o gatilho.
6. Solte o dedo do gatilho e coloque o elemento de segurança contra a peça de trabalho.
7. Retire o elemento de segurança da peça de trabalho, puxe o gatilho e coloque o elemento de segurança contra a peça de trabalho.
8. Se a máquina de pregar funcionar entre 5 - 7, tal significa que os elementos de segurança não estão a funcionar correctamente. **(Fig. 7 e 8)**

Utilizar o bloqueio do gatilho

A ferramenta tem um bloqueio do gatilho, de forma a evitar acidentes devido a um arranque inadvertido. O bloqueio de gatilho impede a deslocação do gatilho e o disparo da ferramenta. Para bloquear o gatilho, coloque a alavanca de bloqueio na posição "LOCK" . Antes de pregar, coloque a alavanca de bloqueio na posição "FREE" . Quando não estiver a ser utilizada, coloque-a sempre na posição "LOCK"  e desligue a mangueira da ferramenta. **(Fig. 9 e 10)**

Ajustar a profundidade de penetração do prego

PRECAUÇÃO:

- Bloqueie sempre o gatilho e desligue a mangueira antes de regular a profundidade da pregagem. **(Fig. 11 e 12)**

Para ajustar a penetração do prego, rode o ajustador. A penetração máxima de pregagem ocorre na posição em que o ajustador está totalmente rodado na direcção A apresentada na imagem. A penetração diminui à medida que o ajustador é rodado para a direcção B.

Gancho (Fig. 13)

PRECAUÇÃO:

- Bloqueie sempre o gatilho e desligue a mangueira antes de mudar a posição de montagem do gancho e de o utilizar.
- Nunca pendure a ferramenta num local elevado ou à cintura, ou numa superfície potencialmente instável.

O gancho é muito útil para pendurar a ferramenta temporariamente.

O gancho pode ser instalado de qualquer dos lados. Quando mudar a posição de instalação, retire o parafuso do gancho. Coloque o gancho na posição pretendida e prenda-o com um parafuso.

MONTAGEM

PRECAUÇÃO:

- Bloqueie sempre o gatilho e desligue a mangueira antes de efectuar qualquer trabalho na ferramenta.

- Carregue sempre o mesmo tipo, tamanho e comprimento uniforme de pregos quando carregar pregos no carregador.

Carregar a máquina de pregar

PRECAUÇÃO:

- Bloqueie sempre o gatilho e desligue a mangueira antes de carregar a máquina de pregar. **(Fig. 14)**

Pressione o manipulador e abra a tampa corredeira do carregador puxando-a para si com o manipulador pressionado. **(Fig. 15)**

Alinhe a ponta dos pregos com as ranhuras no fundo dos carregadores e empurre os pregos para a abertura de disparo. **(Fig. 16)**

Feche a tampa corredeira com firmeza.

Feche a tampa corredeira.

Adaptador de ponta

PRECAUÇÃO:

Bloqueie sempre o gatilho e desligue a mangueira antes de carregar a máquina de pregar. **(Fig. 17)**

Para evitar que a superfície da peça de trabalho fique arranhada ou danificada, utilize o adaptador de mangueira. Antes de colocar o adaptador de mangueira, retire dois parafusos com a chave sextavada que fixa o guia da broca dianteira.

Coloque o adaptador de mangueira de forma a que a saliência encaixe na ranhura no elemento de contacto. **(Fig. 18)**

Guarde o adaptador de ponta quando não o utilizar. O local de armazenamento encontra-se na parte traseira da tampa corredeira.

Abra ligeiramente a porta corredeira e coloque o adaptador da mangueira no suporte, com a porta corredeira ligeiramente aberta, e volte a fechá-la. Podem ser guardados dois adaptadores de mangueira. **(Fig. 19)** Para retirar facilmente o adaptador de mangueira do suporte, desencaixe-o com uma chave sextavada apoiada no verso da tampa corredeira.

Ligar a mangueira de ar

PRECAUÇÃO:


- Quando ligar a mangueira de ar, nunca coloque um dedo no gatilho.

Bloqueie o gatilho e introduza a entrada de ar da mangueira de ar no conector de ar da máquina de pregar. Certifique-se de que a entrada de ar fica bem bloqueada no lugar quando instalada no conector de ar. Deve ser instalada uma união da mangueira na ou perto da ferramenta, de forma a que o depósito de pressão descarregue quando a união do fornecimento de ar for desligada.

FUNCIONAMENTO

PRECAUÇÃO:

- Antes de puxar o gatilho, certifique-se sempre de que coloca em primeiro lugar o elemento de contacto contra a peça de trabalho. **(Fig. 20)**

Para pregar, coloque a alavanca de bloqueio na posição "FREE" .

Coloque o elemento de contacto contra a peça de trabalho e puxe o gatilho. **(Fig. 21)**

Mecanismo anti-accionamento

A ferramenta está equipada com um mecanismo anti-accionamento.

O gatilho fica numa posição em que impede o accionamento da ferramenta. Carregue mais pregos para continuar a operação.

Máquina de pregar encravada

PRECAUÇÃO:

- Antes de desobstruir a ferramenta, bloqueie sempre o gatilho, desligue a mangueira de ar e retire os pregos do carregador. (Fig. 22)

Abra a tampa corrediça e retire pregos do carregador. Prima a extremidade curta da chave sextavada e retire-a do suporte. (Fig. 23)

Utilizando a chave sextavada, retire os dois parafusos que fixam o guia da broca dianteira.

Retire os pregos encravados da ranhura-guia de pregos que surgiu.

Quando for difícil retirar os pregos encravados, retire os dois parafusos com a chave sextavada, que fixam o guia da broca traseira. De seguida, retire-os.

Pregos (Fig. 24)

Manuseie as bobinas de pregos e a respectiva caixa com cuidado. Se manusear as bobinas de pregos descuidadamente, estas podem ficar deformadas ou os respectivos conectores podem quebrar, causando um reabastecimento deficiente de pregos.

Evite guardar os pregos em lugares muito húmidos ou muito quentes ou em lugares expostos à luz solar directa. (Fig. 25)

MANUTENÇÃO

PRECAUÇÃO:

- Bloqueie sempre o gatilho e desligue a mangueira de ar antes de tentar executar qualquer inspeção ou manutenção.

Manutenção da máquina de pregar (Fig. 26)

Antes de utilizar, verifique sempre a condição geral da ferramenta e inspeccione para ver se há parafusos soltos. Aperte-os como necessário. (Fig. 27)

Com a ferramenta desligada, faça uma inspeção diária para assegurar um movimento livre do elemento de contacto e do gatilho. Não use a ferramenta se o elemento de contacto ou o gatilho estiver a colar ou a prender.

Purgar o ar da ferramenta (Fig. 28)

Desligue a mangueira da ferramenta. Coloque a ferramenta de forma a que a saída de ar fique virada para o chão. Purgue o máximo de ar possível.

Limpar a ferramenta

Retire o pó utilizando um soprador de ar.

Tampa (Fig. 29)

Quando não estiver a ser utilizada, bloqueie o gatilho e desligue a mangueira. De seguida, tape a porta de saída de ar com a tampa. (Fig. 30)

Se não for utilizar a ferramenta por um longo período de tempo, lubrifique a ferramenta com lubrificante para

ferramentas pneumáticas e guarde-a num local seguro. Evite expor à luz solar directa e/ou a ambientes quentes ou húmidos. (Fig. 31)

Manutenção do compressor, conjunto de ar e mangueira de ar (Fig. 32 e 33)

Após utilizar, drene sempre o tanque do compressor e o filtro de ar. Se entrar humidade na ferramenta, poderá afectar o desempenho ou causar falha da ferramenta. Inspeccione regularmente para ver se há lubrificante para ferramentas pneumáticas suficiente no lubrificador do conjunto de ar. Se a lubrificação não for suficiente, os anéis em O ficarão rapidamente desgastados. (Fig. 34)

Mantenha a mangueira de ar afastada de calor (acima de 60 °C ou 140 °F) e de produtos químicos (diluente, ácidos fortes ou álcalis). Além disso, coloque a mangueira longe de obstáculos nos quais a mesma possa ser presa perigosamente durante a utilização.

As mangueiras também devem ser direccionadas para longe de arestas aguçadas ou áreas que possam causar danos ou abrasão. (Fig. 35)

Para manter os níveis de SEGURANÇA e FIABILIDADE definidos para este produto, reparações, operações de manutenção ou ajustes devem ser executados por centros de assistência Makita autorizados e, no caso de substituição de peças, estas devem ser igualmente Makita.

ACESSÓRIOS

PRECAUÇÃO:

- Os seguintes acessórios ou extensões são os recomendados para utilizar com a ferramenta Makita especificada neste manual. A utilização de outros acessórios ou extensões podem provocar ferimentos. Utilize cada acessório ou extensão apenas para o fim indicado.

Se precisar de informações adicionais relativas aos acessórios, contacte o centro local de assistência Makita.

- Pregos
- Mangueiras de ar
- Óculos protectores

Apenas para os países europeus
Ruídos e vibrações

ENG045-2

Os níveis típicos de ruído ponderado A são
nível de pressão sonora: 74 dB (A)
nível de potência sonora: 87 dB (A).

Use protecção para os ouvidos

A raiz quadrada do valor médio ponderado da variação da
aceleração não é superior a 2,5 m/s²

Imprecisão (K): 1,5 m/s²

Estes valores foram obtidos segundo a norma EN792.

CE - DECLARAÇÃO DE CONFORMIDADE ENH013-5

Declaramos, sob a nossa única responsabilidade, que
este produto está em conformidade com as seguintes
normas de documentos normalizados;
EN792 em conformidade com as normas do Conselho,
98/37/CE.

CE 2008



Tomoyasu Kato
Administrador

Fabricante responsável:

Makita Corporation

3-11-8, Sumiyoshi-cho, Anjo, Aichi, JAPÃO

Representante autorizado na Europa:

Makita International Europe Ltd.

Michigan Drive, Tongwell, Milton Keynes, Bucks MK15
8JD, INGLATERRA

DANSK

Forklaring til generel oversigt

| | | |
|--|---|--------------------|
| 1. Beskyttelsesbriller | 14. Håndtag | 27. Holder |
| 2. Ansigtmaske | 15. Skydelem | 28. Unbrakonøgle |
| 3. Afgivelse af kompressorluft pr. minut | 16. Magasin | 29. Bagstyrestykke |
| 4. Sømfrekvens (gange/min.) | 17. Søm | 30. Skruer |
| 5. Låst position | 18. Rille til skydelemmen | 31. Fugtig |
| 6. Frigjort position | 19. Riller i bunden af magasinet | 32. Varm |
| 7. Låsearm | 20. Sømudgang | 33. Hætte |
| 8. Afbryderkontakt | 21. Frontstyrestykke | 34. Aftapningshane |
| 9. Kontaktelement | 22. Spidsadapter | 35. Luffilter |
| 10. Justeringsenhed | 23. Fremspring | 36. Smørenippel |
| 11. For dybt | 24. Holder | 37. Trykluftsolie |
| 12. Flugter | 25. Spidsadapter | 38. Fortynder |
| 13. For lidt | 26. Placer først Kontaktelementet mod arbejdsemnet. | 39. Varmeovn |

SPECIFIKATIONER

| | |
|------------------------|----------------------------------|
| Model | AF550H |
| Luftryk | 0,98 - 2,26 MPa (9,8 - 22,6 bar) |
| Sømlængde | 15 mm - 55 mm |
| Sømkapacitet | 100 stk. |
| Størrelse (L x H x B) | 228 mm X 61 mm X 235 mm |
| Mindste slangediameter | 5,0 mm eller mere |
| Nettovægt | 1,2 Kg |

- På grund af vores løbende forsknings- og udviklingsprogram kan specifikationerne heri ændres uden forudgående varsel.
- Bemærk: Specifikationerne kan variere fra land til land.

Symboler

END106-2

Følgende viser de symboler, der benyttes til udstyret. Vær sikker på, at du forstår deres betydning, før du bruger værktøjet.



..... Læs brugsanvisningen.



..... Bær beskyttelsesbriller.



..... Anvend ikke enheden på stilladser eller stiger.

VIGTIGE SIKKERHEDSINSTRUKTIONER

ENB110-1

ADVARSEL: UNDER ANVENDELSEN AF VÆRKTØJET SKAL DU ALTID OVERHOLDE GRUNDLÆGGENDE SIKKERHEDSFORANSTALTNINGER FOR AT MINDSKE RISIKOEN FOR PERSONSKADE, INKLUSIVE FØLGENDE:

LÆS ALLE INSTRUKTIONER.

- Af hensyn til din personlige sikkerhed og for at sikre korrekt brug og vedligeholdelse af værktøjet skal du

læse denne brugsanvisning, før du anvender værktøjet.

- Bær altid beskyttelsesbriller for at beskytte øjnene mod støv eller skader forårsaget af søm.

ADVARSEL:

Det er arbejdsgiverens ansvar at påbyde brug af beskyttelsesudstyr til øjnene af brugerne af værktøjet samt af andre personer i arbejdsområdet.

- Gælder kun for Australien og New Zealand. Bær altid beskyttelsesbriller og ansigtmaske for at beskytte øjnene mod støv eller skader forårsaget af søm. Beskyttelsesbrillerne og ansigtsmasken skal være i overensstemmelse med AS/NZS 1336.

ADVARSEL:

Det er arbejdsgiverens ansvar at påbyde brug af beskyttelsesudstyr til øjnene af brugerne af værktøjet samt af andre personer i arbejdsområdet. **(Fig. 1)**

- Bær høreværn for at beskytte hørelsen mod motorstøj, og bær desuden hovedbeskyttelse. Bær også let, men ikke løs beklædning. Ærmer skal være knappet eller rullet op. Undlad at bære slips.
- Det er farligt at arbejde forhastet eller bruge magt på værktøjet. Håndter værktøjet forsigtigt. Undlad at benytte det, når du er påvirket af alkohol, medicin eller lignende.
- Generelle retningslinjer for brug af værktøjet:
 - (1) Gå altid ud fra, at værktøjet indeholder søm.
 - (2) Ret ikke værktøjet mod dig selv eller andre, uanset om det indeholder søm eller ej.

- (3) Aktiver ikke værktøjet, medmindre det er placeret fast mod arbejdsømheden.
 - (4) Hav respekt for værktøjet som værende et arbejdsredskab.
 - (5) Undlad at lege med værktøjet.
 - (6) Undlad at holde eller bære værktøjet med en finger på afbryderkontakten.
 - (7) Undlad at sætte søm i værktøjet, mens en af betjeningskontrollerne er aktiveret.
 - (8) Undlad at betjene værktøjet med en anden strømkilde end den, der er angivet i værktøjets betjenings- og sikkerhedsinstruktioner.
- Anvend ikke værktøjet, hvis det ikke fungerer korrekt.
 - Der kan forekomme gnister, når værktøjet anvendes. Undlad at anvende værktøjet i nærheden af flygtige, brændbare materialer som benzin, fortynder, maling, gas, klæbemidler osv. De kan antændes og eksplodere og forårsage alvorlig personskade.
 - Arbejdsområdet skal være tilstrækkeligt oplyst til at sikre forsvarlig anvendelse. Området skal være rent og frit for affald. Sørg især for at sikre godt fodfæste og god balance.
 - Kun personer, der deltager i arbejdet, må opholde sig i nærheden. Især må børn ikke komme i nærheden.
 - Der kan gælde lokal lovgivning vedrørende støj, som skal overholdes for at holde støjniveauet inden for de lovmæssige grænser. I nogle tilfælde skal der benyttes skodder til at dæmpe støjen.
 - Undlad at pille ved kontaktelelementet. Det forhindrer udladning ved uheld, og det skal derfor forblive monteret og må ikke fjernes. Det er også meget farligt at fastlåse afbryderkontakten i ON-stillingen. Forsøg aldrig at fastlåse afbryderkontakten. Undlad at betjene værktøjet, hvis nogen del af værktøjets betjeningskontroller ikke kan benyttes, er deaktiveret, ændret eller ikke fungerer korrekt.
 - Anvend værktøjet med det angivne lufttryk på 0,98 - 22,6 MPa (9,8 - 22,6 bar) af sikkerhedshensyn og for at forlænge værktøjets levetid. Undlad at overskride det anbefalede maksimale driftstryk på 2,26 MPa (22,6 bar). Værktøjet må ikke slutes til en kilde, hvis tryk kan overskride 3,39 MPa (33,9 bar).
 - Sørg for, at det tryk, som luftkompressorsystemet leverer, ikke overskrider sømpistolens maksimale tilladte tryk. Indstil først lufttrykket til den laveste værdi for det anbefalede tilladte tryk (se under SPECIFIKATIONER).
 - Brug aldrig værktøjet sammen med andet end komprimeret luft. Hvis der benyttes flaskegas (kuldioxid, ilt, nitrogen, brint, luft osv.) eller brændbar gas (brint, propan, acetylen osv.) som drivmiddel til værktøjet, kan værktøjet eksplodere og forårsage alvorlig personskade.
 - Kontroller altid værktøjets generelle tilstand, og se efter løse skruer før brugen. Stram til efter behov.
 - Sørg for, at alle sikkerhedssystemer fungerer, før anvendelsen. Værktøjet må ikke fungere, hvis der kun trækkes i aftrækkeren, eller kun hvis kontaktarmen trykkes mod træet. Det må kun fungere, når begge disse handlinger udføres. Kontroller for eventuel fejlfunktion uden søm i værktøjet og med trykanordningen i fuldt indtrykket position.
 - Sørg for, at afbryderkontakten er låst, når låsearmen er indstillet til LOCK-positionen.
 - Kontroller vægge, lofter, gulve, tage og lignende omhyggeligt for at undgå risiko for elektrisk stød, gasudsvingning, eksplosioner osv. ved at ramme strømførende ledninger, vandledninger eller gasrør.
 - Brug kun de søm, der er angivet i denne brugsanvisning. Brug af andre søm kan beskadige værktøjet.
 - Anvend aldrig sømpistoler, der er mærket med symbolet "Må ikke anvendes på stilladser, stiger" til bestemte formål, f.eks.:
 - Ved skift fra et arbejdssted til et andet, der involverer brug af stilladser, trapper, stiger eller stigelignende konstruktioner som f.eks. taglægger.
 - Lukning af kasser eller tremmekasser.
 - Montering af transportsikkerhedssystemer, f.eks. på biler og vogne.
 - Lad ikke uøvede personer benytte værktøjet.
 - Sørg for, at der ikke er andre i nærheden, før du begynder at sømme. Forsøg aldrig at sømme fra både indersiden og ydersiden samtidigt. Søm kan gå igennem og/eller flyve væk og udgøre en alvorlig fare.
 - Vær opmærksom på fodfæstet, og hold balancen med værktøjet. Sørg for, at der ikke er nogen under dig, når du arbejder på højtliggende steder, og fastgør luftslangen for at forebygge fare i tilfælde af pludselige ryk eller ved fastklemning.
 - På tage og andre højtliggende steder skal du sømme, efterhånden som du bevæger dig fremad. Du risikerer at miste fodfæstet, hvis du sømmer, mens du går baglæns. Når du sømmer i vinkelrette overflader, skal du sømme oppefra og nedefter. På denne måde kan du arbejde uden at blive træt.
 - Et søm kan blive bøjet eller sidde fast i værktøjet, hvis du ved en fejltagelse driver søm oven i et andet søm eller rammer en knast i træet. Sømmet kan blive slynget ud og ramme personer, eller selve værktøjet kan reagere på en farlig måde. Vær omhyggelig med placeringen af søm.
 - Undlad at lade værktøjet med søm eller luftkompressoren under tryk ligge i solen i længere tid. Sørg for, at støv, sand, spåner og fremmedlegemer ikke kan komme ind i værktøjet på det sted, du efterlader det.
 - Ret ikke udstødsporten mod personer i nærheden. Hold hænder og fødder borte fra området omkring udstødsporten.
 - Undlad at bære værktøjet med fingeren på afbryderkontakten eller at række det til andre i denne tilstand, når luftslangen er tilsluttet. Utilsliget affyring af søm kan være ekstremt farlig.
 - Hænder værktøjet forsigtigt, da der er højtryk inde i værktøjet, som kan være farlig, hvis hårdhændet behandling (stød eller slag) forårsager revner. Forsøg ikke at snitte eller gravere i værktøjet.
 - Stop øjeblikkeligt med at sømme, hvis du bemærker en fejlfunktion eller noget unormalt ved værktøjet.
 - Tag altid luftslangen ud, og fjern alle søm:
 1. Når værktøjet efterlades uden opsyn.
 2. Før du udfører vedligeholdelse eller reparation.
 3. Før du fjerner fastklemte søm.
 4. Før værktøjet transporteres til et andet sted.
 - Udfør rengøring og vedligeholdelse, umiddelbart efter at du er færdig med arbejdet. Hold værktøjet i perfekt

- stand. Smør bevægelige dele for at forebygge rust og slid som følge af friktion. Tør alt støv bort fra delene.
- Når værktøjet ikke benyttes, skal du altid låse afbryderkontakten ved at dreje låsearmen til LOCK-positionen.
 - Undlad at ændre værktøjet uden godkendelse fra Makita.
 - Bed Makitas autoriserede servicecentre om at udføre regelmæssigt eftersyn af værktøjet.
 - For at holde produktet SIKKERT og PÅLIDELIGT skal vedligeholdelse udføres af autoriserede Makita-servicecentre, og der skal benyttes Makita-reservedele.
 - Brug kun olie til trykluftsværktøj, der er angivet i denne brugsanvisning.
 - Slut aldrig værktøjet til en luftkompressionsledning, hvis værktøjets maksimalt tilladte tryk ikke må overstiges med 10 %. Sørg for, at det tryk, som luftkompressorsystemet leverer, ikke overskrider sømpistolens maksimalt tilladte tryk. Indstil først lufttrykket til den laveste værdi for det anbefalede tilladte tryk.
 - Forsøg ikke at holde afbryderkontakten nede ved hjælp af tape eller ståltråd. Det kan afstedkomme dødsfald eller alvorlig personskade.
 - Kontroller altid kontaktelemler som anvist i denne brugsanvisning. Søm kan utilsigtet blive drevet, hvis sikkerhedsmekanismen ikke fungerer korrekt.

GEM DISSE INSTRUKTIONER.

MONTERING

Valg af kompressor (Fig. 2)

- Vælg en kompressor med tilstrækkeligt tryk og luftudgang til at sikre en effektiv drift. Grafen viser forholdet mellem sømfrekvens, anvendt tryk og kompressorens luftudgang. Hvis du sømmer med f.eks. en hastighed på cirka 60 gange i minuttet ved en kompression på 1,76 MPa (17,6 bar), skal der anvendes en kompressor med en luftudgang på mere end 45 L/min. Der skal benyttes trykregulatorer til at begrænse lufttrykket til værktøjets nominelle tryk, hvis luftforsyningens tryk overskrider værktøjets nominelle tryk. Undladelse af dette kan medføre alvorlig personskade på operatøren eller personer i nærheden.

Valg af luftslange

ADVARSEL:

- Brug en luftslange der kan klare højt tryk. Det lufttryk, der anvendes til denne sømpistol, er højere end det, der anvendes til andre almindelige sømpistoler. (Fig. 3)
- Anvend en luftslange, der er så tyk og så kort som muligt, for at sikre kontinuert og effektiv søm-idrivning.

FORSIGTIG:

- En for lav luftudgang fra kompressoren eller en for lang og tynd luftslange i forhold til sømfrekvensen kan reducere værktøjets drivkapacitet.

Smøring (Fig. 4)

For at sikre maksimal ydelse skal der monteres et luftsæt (smørenippel, regulator, luftfilter) så tæt på værktøjet som

muligt. Juster smøreniplen, så der tilføres en dråbe olie for hver 50 søm.

Hvis der ikke anvendes et luftsæt, skal du smøre værktøjet med olie til lufttrykværktøj ved at tilføre 2 (to) eller 3 (tre) dråber i lufttilslutningen. Gør dette før og efter brugen. For at sikre korrekt smøring skal værktøjet affyres nogle gange, efter at olien til lufttrykværktøj er tilført.

(Fig. 5)

FUNKTIONSBESKRIVELSE

FORSIGTIG:

- Lås altid afbryderkontakten, og tag slangen af, inden du justerer værktøjet eller kontrollerer dets funktion.

Kontrol inden anvendelse

ADVARSEL:


- Brug aldrig sømpistolen hvis sikkerhedselementerne ikke er i orden. Det kan forårsage personskade og skader hvis den bruges i en sådan tilstand.

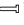
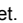
Sømpistolen affyrer ikke søm uden aktivering af både afbryderkontakten og sikkerhedselementerne. Inden du sømmer, skal du kontrollere om sømpistolens sikkerhedssystemer virker ved at følge proceduren nedenfor. (Fig. 6)

1. Sørg for, at der ikke er fyldt søm på værktøjet inden betjeningen.
2. Slut luftslangen til værktøjet.
3. Sæt låsearmen på den frigjorte position.
4. Træk magasinet skydelem mod dig selv.
5. Tryk kun på afbryderkontakten.
6. Tag fingeren fra afbryderkontakten og placer sikkerhedselementet mod arbejdsområdet.
7. Fjern sikkerhedselementet fra arbejdsområdet, tryk på afbryderkontakten og placer derefter sikkerhedselementet mod arbejdsområdet.
8. Hvis sømpistolen fungerer mellem 5 - 7, virker sikkerhedselementerne ikke som de skal. (Fig. 7 og 8)

Brug af afbryderlåsen

Værktøjet er udstyret med en afbryderlås for at undgå ulykker pga. utilsigtet start. Afbryderlåsen fastlåser afbryderkontakten, så den ikke kan bevæges, og værktøjet kan derfor ikke affyre søm.

For at låse afbryderkontakten skal du sætte låsearmen på "LOCK"  -positionen.

Inden du sømmer, skal låsearmen sættes i "FREE"  -positionen. Når værktøjet ikke bruges, skal det altid sættes på "LOCK"  -positionen, og slangen skal tages af værktøjet. (Fig. 9 og 10)

Justering af søm-dybden

FORSIGTIG:

- Lås altid afbryderkontakten, og tag slangen af, før du justerer dybden af søm-idrivning. (Fig. 11 og 12)

Drej på justeringsenheden for at justere dybden af søm-idrivning. Dybden af søm-idrivningen er størst, når justeringsenheden er drejet helt i A-retningen som vist på figuren. Dybden bliver mindre, når justeringsenheden drejes i B-retningen.

Krog (Fig. 13)

FORSIGTIG:

- Lås altid afbryderkontakten og tag slangen af, inden du skifter positionen af krogmonteringen og anvender krogen.
- Hæng aldrig værktøjet højt oppe, i et bælte eller på en anden potentielt ustabil overflade.

Krogen er praktisk til midlertidigt at hænge værktøjet i. Krogen kan monteres på begge sider af værktøjet. Når du ændrer monteringspositionen, skal du fjerne skruen fra krogen. Placer krogen på den ønskede position og fastgør den med skruen.

MONTERING

FORSIGTIG:

- Lås altid afbryderkontakten, og tag slangen ud, før du udfører nogen form for arbejde på værktøjet.
- Brug søm af samme type, størrelse og længde, når der skal indsættes søm i magasinet.

Indsætning af søm i sømpistolen

FORSIGTIG:

- Lås altid afbryderkontakten, og tag slangen ud af værktøjet, inden du indsætter søm i sømpistolen.. (Fig. 14)

Tryk på håndtaget, og åbn skydelemmen på magasinet ved at trække ind mod dig selv, mens håndtaget holdes inde. (Fig. 15)

Juster sømpistolerne i forhold til rillerne i bunden af magasinet, og tryk alle sømmene hen mod affyringsåbningen. (Fig. 16)

Luk skydelemmen ordentligt.
Luk skydelemmen.

Spidsadapter

FORSIGTIG:

Lås altid afbryderkontakten, og tag slangen ud af værktøjet, inden du indsætter søm i sømpistolen.. (Fig. 17)

For at forhindre at arbejdsområdets overflade bliver ridset eller beskadiget, skal du anvende spidsadapteren. Inden du monterer spidsadapteren, skal du fjerne de to skruer, der fastholder frontstyrestykket, med unbrakonøglen. Monter spidsadapteren sådan at fremspringet passer ind i rillen på kontaktelelementet. (Fig. 18)

Opbevar spidsadapteren på sin plads, når den ikke benyttes. Den skal opbevares på bagsiden af skydelemmen.

Åbn skydelemmen en lille smule og placer spidsadapteren på holderen med skydelemmen åbnet en anelse, og luk derefter skydelemmen. Der kan opbevares i alt to spidsadapere. (Fig. 19)

Du kan nemt tage spidsadapteren ud af holderen ved at skubbe den ud fra bagsiden af skydelemmen med en unbrakonøgle.

Tilslutning af luftslange

FORSIGTIG:

- Når du tilslutter luftslangen, må du aldrig holde en finger på afbryderkontakten.

Lås afbryderkontakten og anbring luftbøsningen på luftslangen over luftpåslutningen på sømpistolen. Sørg for, at luftbøsningen låses fast på plads, når den monteres på luftpåslutningen. Der skal være monteret en slangekobling på eller i nærheden af værktøjet på en sådan måde, at trykreservoiret forsvinder, når luftforsyningskoblingen tages ud af forbindelse.

BETJENING

FORSIGTIG:

- Sørg altid for først at placere kontaktelelementet mod arbejdsområdet, inden du trykker på afbryderkontakten. (Fig. 20)

Sæt låsearmen i "FREE ←"-positionen for at slå et søm i. Placer kontaktelelementet mod arbejdsområdet og tryk derefter på afbryderkontakten. (Fig. 21)

Mekanisme til forhindring af affyring uden søm

Værktøjet har en mekanisme til at forhindre, at det affyres uden søm.

Når trykket forsvinder for at forhindre værktøjet i at aktiveres. Indsæt flere søm for at genoptage arbejdet.

Fastklemt sømpistol

FORSIGTIG:

- Lås altid afbryderkontakten, frakobl luftslangen, og fjern sømmene fra magasinet før et stop afhjælpes. (Fig. 22)

Åbn skydelemmen, og tag sømmene ud af magasinet. Tryk på den korte side af unbrakonøglen og tag den ud af holderen. (Fig. 23)

Fjern de to skruer med unbrakonøglen, der fastholder frontstyrestykket.

Tag de søm ud fra sømriksen, der sidder fast.

Når det er svært at tage de fastsiddende søm ud, skal du yderligere fjerne de to skruer med unbrakonøglen, der fastholder bagstyrestykket. Tag dem derefter ud.

Søm (Fig. 24)

Håndter sømbånd og æsken med dem forsigtigt. Hvis sømbånd håndteres hårdt, kan de blive bøjet, eller deres forbindelse ødelægges, så sømfremføringen forhindres. Undgå at opbevare søm på fugtige eller varme steder eller på steder, der er udsat for direkte sollys. (Fig. 25)

VEDLIGEHOVELSE

FORSIGTIG:

- Lås altid afbryderkontakten og frakobl luftslangen, før du forsøger at udføre inspektion eller vedligeholdelse.

Vedligeholdelse af sømpistol (Fig. 26)

Kontroller altid værktøjets generelle tilstand, og se efter løse skruer før brugen. Stram til efter behov. (Fig. 27)

Udfør daglig inspektion med værktøjet taget ud af forbindelse for at sikre dig, at kontaktelelementet og afbryderkontakten kan bevæge sig frit. Undlad at bruge værktøjet, hvis kontaktelelementet eller afbryderkontakten klæmmer eller binder.

Tømning af værktøjet (Fig. 28)

Frakobl altid slangen fra værktøjet. Placer værktøjet sådan at lufttilslutningen vender nedad mod gulvet. Tøm værktøjet så meget som muligt.

Rengøring af værktøjet

Blæs støv af med trykluft.

Hætte (Fig. 29)

Når værktøjet ikke bruges, skal du låse afbryderkontakten og frakoble slangen. Sæt derefter hætten på åbningen for lufttilslutningen. (Fig. 30)

Hvis værktøjet ikke skal anvendes i længere tid, skal det smøres med en olie til trykluftsværktøj, og værktøjet skal opbevares et sikkert sted. Undgå, at værktøjet udsættes for direkte sollys og/eller fugtige eller varme steder.

(Fig. 31)

Vedligeholdelse af kompressor, luftsæt og luftslange (Fig. 32 og 33)

Efter brugen skal du altid tømme kompressortanken og luftfilteret ud. Hvis der trænger fugt ind i værktøjet, kan det medføre dårlig ydelse og risiko for fejlfunktion.

Kontroller regelmæssigt, om der er tilstrækkelig trykluftsolie i smøreniplen på luftsættet. Forsømmelse af tilstrækkelig smøring vil bevirke, at O-ringene hurtigt nedslides. (Fig. 34)

Udsæt ikke luftslangen for varme (over 60 °C) eller for kemikalier (fortynder, stærke syrer eller baser). Sørg også for at føre luftslangen uden om forhindringer, hvor den kan komme i klemme under brugen.

Slanger skal desuden holdes borte fra skarpe kanter og områder, der kan medføre beskadigelse eller slid på slangen. (Fig. 35)

For at holde produktet SIKKERT og PÅLIDELIGT skal reparationer samt al anden vedligeholdelse og justering udføres af autoriserede Makita-servicecentre, og der skal altid benyttes Makita-reservedele.

TILBEHØR**FORSIGTIG:**

- Dette tilbehør eller ekstraudstyr anbefales til brug med det Makita-værktøj, som er beskrevet i denne brugsanvisning. Brug af andet tilbehør eller ekstraudstyr kan forårsage personskade. Brug kun tilbehør eller ekstraudstyr til det formål, det er beregnet til.

Henvend dig til din lokale Makita-servicecenter, hvis du har brug for hjælp eller yderligere oplysninger vedrørende tilbehøret.

- Søm
- Luftslinger
- Sikkerhedsbriller

Kun for lande i Europa**Støj og Vibration**

De typiske A-vægtede støjniveauer er

lydtrykniveau: 74 dB (A)

lydkraftniveau: 87 dB (A).

Bær høreværn

Den typiske vægtede effektive accelerationsværdi er ikke over 2,5 m/s²

Usikkerhed (K): 1,5 m/s²

Disse værdier er målt i overensstemmelse med EN792.

EC-ERKLÆRING VEDRØRENDE OVERHOLDELSE AF STANDARDER

ENH013-5

Vi erklærer og tager det fulde ansvar for, at produktet overholder følgende standarder i de standardiserede dokumenter: EN792 i overensstemmelse med Rådets direktiver 98/37/EU.

CE 2008



Tomoyasu Kato
Direktør

Ansvarlig producent:

Makita Corporation

3-11-8, Sumiyoshi-cho, Anjo, Aichi, JAPAN

Autoriseret repræsentant i Europa:

Makita International Europe Ltd.

Michigan Drive, Tongwell, Milton Keynes, Bucks MK15 8JD, ENGLAND

Περιγραφή γενικής όψης

- | | | |
|--|--|--|
| 1. Προστατευτικά γυαλιά | 15. Κυλιόμενη θύρα | 28. Εξαγωνικό άλεν |
| 2. Προσωπίδα | 16. Γεμιστήρας | 29. Οπίσθιος κινητήριος οδηγός |
| 3. Έξοδος αέρα συμπιεστή ανά λεπτό | 17. Καρφι | 30. Βίδες |
| 4. Συχνότητα καρφώματος (φορές/ λεπτό) | 18. Εγκοπτή για την κυλιόμενη θύρα | 31. Νοτισμένο |
| 5. Θέση κλειδώματος | 19. Εγκοπτές στο κάτω μέρος του γεμιστήρα | 32. Ζεστό |
| 6. Ελεύθερη θέση | 20. Ανοιγμα εκβολής καρφίων | 33. Καπάκι |
| 7. Μοχλός κλειδώματος | 21. Μπροστινός κινητήριος οδηγός | 34. Κρουνός αποστράγγισης |
| 8. Σκανδάλη | 22. Προσαρμογέας μύτης | 35. Φίλτρο αέρα |
| 9. Στοιχείο επαφής | 23. Προεξοχή | 36. Λιπαντήρας |
| 10. Ρυθμιστής | 24. Υποδοχέας | 37. Λάδι για εργαλεία πεπιεσμένου αέρα |
| 11. Πολύ βαθιά | 25. Προσαρμογέας μύτης | 38. Διαλυτικό |
| 12. Ίδιο επίπεδο | 26. Πρώτα τοποθετήστε το στοιχείο επαφής επάνω στο τεμάχιο εργασίας. | 39. Θερμάστρα |
| 13. Πολύ ρηχά | 27. Υποδοχέας | |

ΠΡΟΔΙΑΓΡΑΦΕΣ

| | |
|---------------------------|----------------------------------|
| Μοντέλο | AF550H |
| Πίεση αέρα | 0,98 - 2,26 Μπα (9,8 - 22,6 bar) |
| Μήκος καρφιού | 15 mm - 55 mm |
| Χωρητικότητα καρφίων | 100 τεμάχια |
| Διαστάσεις (Μ Χ Υ Χ Π) | 228 mm Χ 61 mm Χ 235 mm |
| Ελάχιστη διάμετρος σωλήνα | 5,0 mm ή περισσότερο |
| Καθαρό βάρος | 1,2 κιλά |

- Λόγω του συνεχόμενου προγράμματος που εφαρμόζουμε για έρευνα και ανάπτυξη, τα τεχνικά χαρακτηριστικά στο παρόν έντυπο υπόκεινται σε αλλαγή χωρίς προειδοποίηση.
- Σημείωση: Τα τεχνικά χαρακτηριστικά ενδέχεται να διαφέρουν ανάλογα με τη χώρα.

Σύμβολα

END106-2

Παρακάτω παρουσιάζονται τα σύμβολα που χρησιμοποιούνται για τον εξοπλισμό. Βεβαιωθείτε ότι κατανοείτε τη σημασία τους πριν από τη χρήση.



..... Διαβάστε το εγχειρίδιο οδηγιών.



..... Να φοράτε γυαλιά προστασίας.



..... Μη χρησιμοποιείτε σε σκαλωσιές ή σκάλες.

ΣΗΜΑΝΤΙΚΕΣ ΟΔΗΓΙΕΣ ΑΣΦΑΛΕΙΑΣ

ENB110-1

ΠΡΟΕΙΔΟΠΟΙΗΣΗ: ΟΤΑΝ ΧΡΗΣΙΜΟΠΟΙΕΙΤΕ ΑΥΤΟ ΤΟ ΕΡΓΑΛΕΙΟ, ΠΑΝΤΟΤΕ ΠΡΕΠΕΙ ΝΑ ΑΚΟΛΟΥΘΕΙΤΕ ΟΛΕΣ ΤΙΣ ΒΑΣΙΚΕΣ ΠΡΟΦΥΛΑΞΕΙΣ ΓΙΑ ΤΗΝ ΑΣΦΑΛΕΙΑ ΓΙΑ ΝΑ ΜΕΙΩΣΕΤΕ ΤΟΝ ΚΙΝΔΥΝΟ ΠΡΟΣΩΠΙΚΟΥ ΤΡΑΥΜΑΤΙΣΜΟΥ, ΣΥΜΠΕΡΙΛΑΜΒΑΝΟΜΕΝΩΝ ΤΩΝ ΠΑΡΑΚΑΤΩ:

ΔΙΑΒΑΣΤΕ ΟΛΕΣ ΤΙΣ ΟΔΗΓΙΕΣ.

- Για την προσωπική ασφάλεια και τη σωστή λειτουργία και συντήρηση του εργαλείου, διαβάστε αυτό το εγχειρίδιο οδηγιών πριν χρησιμοποιήσετε το εργαλείο.
- Να φοράτε πάντοτε γυαλιά προστασίας για να προστατεύετε τα μάτια σας από τραυματισμό λόγω σκόνης ή καρφίων.
ΠΡΟΕΙΔΟΠΟΙΗΣΗ:
Ο εργοδότης έχει την ευθύνη να επιβάλλει τη χρήση προστατευτικού εξοπλισμού για τα μάτια από τους χειριστές του εργαλείου και τα άλλα άτομα που βρίσκονται στην άμεση περιοχή εργασίας.
- Μόνο για την Αυστραλία και τη Νέα Ζηλανδία. Να φοράτε πάντοτε γυαλιά προστασίας και προσωπίδα για να προστατεύετε τα μάτια σας από τραυματισμό λόγω σκόνης ή καρφίων. Τα γυαλιά προστασίας και η προσωπίδα θα πρέπει να συμμορφώνονται με τις απαιτήσεις του AS/NZS 1336.
ΠΡΟΕΙΔΟΠΟΙΗΣΗ:
Ο εργοδότης έχει την ευθύνη να επιβάλλει τη χρήση προστατευτικού εξοπλισμού για τα μάτια από τους χειριστές του εργαλείου και τα άλλα άτομα που βρίσκονται στην άμεση περιοχή εργασίας. **(Εικ. 1)**
- Να φοράτε ωτοασπίδες για να προστατεύετε τα αυτιά σας από το θόρυβο της εξάτμισης, καθώς και προστατευτικά κεφαλής. Επίσης, να φοράτε ελαφρά,

- αλλά όχι φαρδιά ρούχα. Τα μανίκια πρέπει να είναι κουμπωμένα ή ανεβασμένα. Δεν πρέπει να φοράτε γραβάτα.
- Είναι επικίνδυνο να εργάζεστε με βιασύνη ή να ασκείτε δύναμη στο εργαλείο.
Να χειρίζεστε το εργαλείο προσεχτικά. Μη θέτετε το εργαλείο σε λειτουργία όταν βρίσκεστε υπό την επίρρηση αλκοόλ, φαρμάκων ή παρόμοιων ουσιών.
 - Γενικές Οδηγίες Για Το Χειρισμό Του Εργαλείου:
 - (1) Να θεωρείτε πάντοτε ότι το εργαλείο περιέχει καρφιά.
 - (2) Μη στρέψετε το εργαλείο προς το μέρος σας ή προς οποιονδήποτε άλλον, ανεξάρτητα αν περιέχει καρφιά ή όχι.
 - (3) Μην ενεργοποιείτε το εργαλείο εκτός αν βρίσκεται τοποθετημένο σταθερά επάνω στο τεμάχιο εργασίας.
 - (4) Να παίρνετε το εργαλείο στα σοβαρά κατά τη εκτέλεση της εργασίας.
 - (5) Μην αστειεύεστε με το εργαλείο.
 - (6) Μην κρατάτε και μη μεταφέρετε το εργαλείο με το δάκτυλό σας στη σκανδάλη.
 - (7) Μη γεμίζετε το εργαλείο με καρφιά όταν είναι ενεργοποιημένο κάποιο από τα χειριστήρια λειτουργίας.
 - (8) Μη θέτετε το εργαλείο σε λειτουργία με οποιαδήποτε πηγή ενέργειας εκτός από εκείνη που καθορίζεται στις οδηγίες λειτουργίας/ ασφάλειας του εργαλείου.
 - Μη χρησιμοποιείτε κάποιο εργαλείο που δεν λειτουργεί σωστά.
 - Μερικές φορές πετάνονται σπινθήρες κατά τη χρήση του εργαλείου. Μη χρησιμοποιείτε το εργαλείο κοντά σε πτητικά, εύφλεκτα υλικά όπως βενζίνη, νέφτι, μπιγιά, γκάζι, κόλλα, κλπ. Θα αναφλεγούν και θα εκραγούν με αποτέλεσμα το σοβαρό τραυματισμό.
 - Η περιοχή πρέπει να είναι επαρκώς φωτισμένη για να υπάρχει ασφάλεια στην εργασία. Η περιοχή πρέπει να είναι καθαρή και χωρίς απορρίμματα. Να είστε ιδιαίτερα προσεχτικοί και να στέκεστε σταθερά και ισορροπημένα.
 - Μόνο οι εργαζόμενοι πρέπει να βρίσκονται στην περιοχή εργασίας. Ιδιαίτερα τα παιδιά ποτέ δεν πρέπει να πλησιάζουν.
 - Ενδεχομένως να υπάρχουν τοπικοί κανονισμοί που αφορούν το θόρυβο και στους οποίους πρέπει να συμμορφώνεστε διατηρώντας τη στάθμη θορύβου εντός των προδιαγραφόμενων ορίων. Σε ειδικές περιπτώσεις πρέπει να χρησιμοποιούνται παρατηρήματα για τον περιορισμό του θορύβου.
 - Μην παίζετε με το στοιχείο επαφής: Αυτό εμποδίζει την τυχαία εκφόρτωση, για το λόγο αυτό πρέπει να παραμένει πάντοτε στη θέση του και να μην αφαιρείται. Είναι επίσης πολύ επικίνδυνο να ασφαλίσετε τη σκανδάλη στην ανοικτή θέση (ON). Ποτέ μην επιχειρήσετε να ασφαλίσετε τη σκανδάλη. Μη θέσετε το εργαλείο σε λειτουργία αν οποιοδήποτε τμήμα των χειριστήριων λειτουργίας είναι χαλασμένο, αποσυνδεδεμένο, τροποποιημένο ή δεν λειτουργεί σωστά.
 - Να θέτετε το εργαλείο σε λειτουργία εντός των καθορισμένων ορίων πίεσης αέρα των 0,98 - 2,26 MPa (9,8 - 22,6 bar) για ασφάλεια και μακρύτερη ζωή του εργαλείου. Μην υπερβαίνετε τη συνιστώμενη μέγιστη πίεση λειτουργίας των 2,26 MPa (22,6 bar). Το εργαλείο δεν πρέπει να συνδέεται σε πηγή της οποίας η πίεση πιθανόν να υπερβαίνει τα 3,39 MPa (33,9 bar).
 - Βεβαιωθείτε ότι η παρεχόμενη πίεση από το σύστημα πεπιεσμένου αέρα δεν υπερβαίνει τη μέγιστη επιτρεπόμενη πίεση του καρφωτικού εργαλείου. Ρυθμίστε αρχικά την πίεση αέρα στη χαμηλότερη τιμή της συνιστώμενης επιτρεπόμενης πίεσης (βλ. ΠΡΟΔΙΑΓΡΑΦΕΣ).
 - Μη χρησιμοποιείτε ποτέ το εργαλείο με ο,τιδήποτε άλλο εκτός από πεπιεσμένο αέρα. Αν χρησιμοποιηθεί εμφιαλωμένο αέριο (διοξειδίο άνθρακα, οξυγόνο, άζωτο, υδρογόνο, αέρα, κτλ.) ή εύφλεκτο αέριο (υδρογόνο, προπάνιο, ακετυλένιο, κτλ.) ως πηγή ενέργειας για το εργαλείο αυτό, το εργαλείο θα εκραγεί και θα προκληθεί σοβαρός τραυματισμός.
 - Πριν από τη λειτουργία, να ελέγχετε πάντοτε τη γενική κατάσταση του εργαλείου, αλλά και αν οι βίδες είναι χαλαρές. Σφίξτε όπως απαιτείται.
 - Βεβαιωθείτε ότι όλα τα συστήματα ασφάλειας βρίσκονται σε καλή κατάσταση πριν από τη λειτουργία. Το εργαλείο δεν πρέπει να λειτουργεί αν πιεστεί μόνο η σκανδάλη ή αν πατηθεί μόνο ο βραχίονας επαφής επάνω στο ξύλο. Πρέπει να λειτουργεί μόνο όταν εκτελούνται και οι δύο ενέργειες. Δοκιμάστε για πιθανή ελαττωματική λειτουργία όταν το εργαλείο δεν είναι γεμισμένο με καρφιά και ο ωθητήρας βρίσκεται στην πλήρη τραβηγμένη θέση.
 - Βεβαιωθείτε ότι η σκανδάλη είναι κλειδωμένη όταν ο μοχλός κλειδώματος είναι τοποθετημένος στην κλειδωμένη θέση (LOCK).
 - Να ελέγχετε προσεχτικά τους τοίχους, τις οροφές, τα πατώματα, τις στέγες και παρόμοιες κατασκευές για να αποφεύγετε την πιθανή ηλεκτροπληξία, διαρροή αερίου, εκρήξεις, κτλ. που προκαλούνται από κτυπήματα ηλεκτροφόρων καλωδίων, αγωγών ή σωληνών αερίων.
 - Να χρησιμοποιείτε μόνο καρφιά που καθορίζονται στο εγχειρίδιο αυτό. Αν χρησιμοποιήσετε άλλα καρφιά, μπορεί να προκληθεί δυσλειτουργία του εργαλείου.
 - Ποτέ μη χρησιμοποιήσετε καρφωτικά εργαλεία (σύναψης) που φέρουν την ένδειξη «Μη χρησιμοποιείτε σε σκαλωσιές, σκάλες, κτλ.» για ειδικές εφαρμογές όπως παραδείγματα:
 - κατά την αλλαγή από μια τοποθεσία καρφώματος σε μια άλλη χρησιμοποιούνται σκαλωσιές, σκαλοπάτια, σκάλες ή άλλες παρόμοιες κατασκευές, π.χ. σανίδες σκεπών,
 - κατά το κλείσιμο κιβωτίων ή τελάρων,
 - κατά την εφαρμογή συστημάτων ασφάλειας μεταφορών π.χ. σε οχήματα και βαγόνια.
 - Μην επιτρέπετε σε ανειδίκευτα άτομα να χρησιμοποιούν το εργαλείο.
 - Να βεβαιώνετε ότι δεν βρίσκεται κανένας κοντά πριν από το κάρφωμα. Ποτέ μην επιχειρήσετε να καρφώσετε ταυτόχρονα και από μέσα και απ' έξω. Τα καρφιά μπορεί να διαπεράσουν το μέσο ή/και να εκτιναχθούν, γεγονός που προκαλεί σοβαρό κίνδυνο.
 - Να προσέχετε ώστε να στέκεστε καλά και να διατηρείτε την ισορροπία σας όταν χρησιμοποιείτε το εργαλείο. Να βεβαιώνετε ότι δεν υπάρχει κανείς από κάτω όταν εργάζεστε σε υψηλές τοποθεσίες και να ασφαλίσετε τον εύκαμπτο σωλήνα αέρα για να αποφεύγετε τον κίνδυνο σε περίπτωση που συμβεί απότομο τίνιγμα ή πιάσιμο.

- Σε σκεπές και άλλες υψηλές τοποθεσίες, να καρφώνετε καθώς κινείστε προς τα μπροστά. Είναι εύκολο να χάσετε την ισορροπία σας αν καρφώνετε καθώς κινείστε προς τα πίσω. Όταν καρφώνετε σε κατακόρυφη επιφάνεια, να καρφώνετε από την κορυφή προς τα κάτω. Με τον τρόπο αυτό, μπορείτε να εκτελείτε εργασίες καρφώματος με λιγότερη κόπωση.
- Αν από λάθος καρφώσετε ένα καρφί επάνω σε ένα άλλο ή χτυπήσετε ρόζο στο ξύλο, το καρφί θα στραβώσει ή το εργαλείο θα πάθει εμπλοκή. Το καρφί μπορεί να εκτιναχθεί και να χτυπήσει κάποιον ή το ίδιο το εργαλείο μπορεί να αντιδράσει επικίνδυνα. Τοποθετήστε τα καρφιά με προσοχή.
- Μην αφήνετε το φορτωμένο εργαλείο ή τον συμπιεστή αέρα υπό πίεση για μεγάλο χρονικό διάστημα έξω στον ήλιο. Να βεβαιώνετε ότι δεν εισέρχονται στο εργαλείο σκόνη, άμμος, τεμαχίδια ή ξένη ύλη στη θέση όπου το αφήνετε.
- Μην στρέφετε τη θύρα εκτίναξης προς οποιοδήποτε άτομο βρίσκεται κοντά. Να κρατάτε τα χέρια και τα πόδια σας μακριά από την περιοχή της θύρας εκτίναξης.
- Όταν είναι συνδεδεμένος ο σωλήνας αέρα, μη μεταφέρετε το εργαλείο και μην το δίνετε σε κάποιον άλλον ενώ το δάκτυλό σας βρίσκεται στη σκανδάλη. Η τυχαία εκπυροσκόρπηση μπορεί να είναι εξαιρετικά επικίνδυνη.
- Να χειρίζεστε το εργαλείο προσεχτικά, επειδή υπάρχει υψηλή πίεση στο εσωτερικό του, που μπορεί να είναι επικίνδυνη αν προκληθεί ρωγμή από απρόσεχτο χειρισμό (πτώση ή χτύπημα). Μην προσπαθήσετε να κάνετε χαρακίες ή αυλακώσεις στο εργαλείο.
- Να σταματάτε αμέσως τις λειτουργίες καρφώματος αν παρατηρήσετε ότι κάτι δεν πάει καλά ή κάτι είναι ασυνήθιστο για το εργαλείο.
- Να αποσυνδέετε πάντοτε τον εύκαμπτο σωλήνα αέρα και να αφαιρείτε όλα τα καρφιά:
 1. Όταν δεν προσέχει κανείς το εργαλείο.
 2. Πριν εκτελέσετε οποιαδήποτε εργασία συντήρησης ή επισκευής.
 3. Πριν καθαρίσετε κάποια εμπλοκή.
 4. Πριν μετακινήσετε το εργαλείο σε νέα τοποθεσία.
- Να εκτελείτε καθαρισμό και συντήρηση του εργαλείου αμέσως μόλις ολοκληρώσετε την εργασία. Να διατηρείτε το εργαλείο σε άριστη κατάσταση. Να λιπαίνετε τα κινούμενα μέρη για να αποφεύγετε την οξειδωση (σκουριάσμα) και να ελαχιστοποιείτε τη φθορά από την τριβή. Σκουπίστε όλη τη σκόνη από τα μέρη του εργαλείου.
- Όταν δεν χρησιμοποιείτε το εργαλείο, να κλειδώνετε πάντοτε τη σκανδάλη περιστρέφοντας το μοχλό κλειδώματος στην κλειδωμένη θέση (LOCK).
- Μην τροποποιείτε το εργαλείο χωρίς την έγκριση από τη Makita.
- Απευθυνθείτε στα εξουσιοδοτημένα κέντρα εξυπηρέτησης της Makita για τους περιοδικούς ελέγχους του εργαλείου.
- Για να διατηρείται η ΑΣΦΑΛΕΙΑ και η ΑΞΙΟΠΙΣΤΙΑ του προϊόντος, οι εργασίες συντήρησης και επισκευής θα πρέπει να εκτελούνται σε εξουσιοδοτημένα κέντρα εξυπηρέτησης της Makita, και πάντοτε με τη χρήση ανταλλακτικών της Makita.
- Να χρησιμοποιείτε μόνο λάδι για εργαλεία πεπιεσμένου αέρα που καθορίζεται στο εγχειρίδιο αυτό.
- Μη συνδέετε ποτέ το εργαλείο σε γραμμή πεπιεσμένου αέρα σε περιπτώσεις που η μέγιστη επιτρεπόμενη πίεση του εργαλείου ξεπεραστεί κατά 10%. Βεβαιωθείτε ότι η παρεχόμενη πίεση από το σύστημα πεπιεσμένου αέρα δεν υπερβαίνει τη μέγιστη επιτρεπόμενη πίεση του καρφωτικού εργαλείου. Αρχικά ρυθμίστε την πίεση του αέρα στη χαμηλότερη τιμή της επιτρεπόμενης πίεσης που συνιστάται.
- Μην προσπαθήσετε να κρατήσετε το στοιχείο επαφής της σκανδάλης πιεσμένο με τα χέρια ή το σώμα. Μπορεί να προκληθεί θάνατος ή σοβαρός τραυματισμός.
- Να ελέγχετε πάντα το στοιχείο επαφής σύμφωνα με τις οδηγίες στο παρόν εγχειρίδιο. Μπορεί να καθοδηγηθούν κατά λάθος καρφιά εάν δεν λειτουργεί σωστά ο μηχανισμός ασφάλειας.

ΦΥΛΑΞΤΕ ΑΥΤΕΣ ΤΙΣ ΟΔΗΓΙΕΣ.

ΤΟΠΟΘΕΤΗΣΗ

Επιλογή συμπιεστή (Εικ. 2)

- Επιλέξτε συμπιεστή που διαθέτει επαρκή πίεση και έξοδο αέρα ώστε να εξασφαλίζεται η οικονομική λειτουργία. Η γραφική παράσταση απεικονίζει τη σχέση μεταξύ της συχνότητας καρφώματος, της ασκούμενης πίεσης και της εξόδου αέρα του συμπιεστή. Συνεπώς, για παράδειγμα, αν το κάρφωμα λαμβάνει χώρα με ρυθμό περίπου 60 φορές το λεπτό με συμπίεση 1,76 MPa (17.6 bar), απαιτείται συμπιεστής με έξοδο αέρα υψηλότερη των 45 L/min . Πρέπει να χρησιμοποιούνται ρυθμιστές πίεσης για να περιορίζουν την πίεση αέρα στην ονομαστική πίεση του εργαλείου σε περίπτωση που η πίεση παροχής αέρα υπερβαίνει την ονομαστική πίεση του εργαλείου. Αν δεν τηρηθεί αυτή η οδηγία, μπορεί να προκληθεί σοβαρός τραυματισμός στον χειριστή του εργαλείου ή σε άτομα που βρίσκονται κοντά στην περιοχή εργασίας.

Επιλογή εύκαμπτου σωλήνα αέρα

ΠΡΟΕΙΔΟΠΟΙΗΣΗ:

- Χρησιμοποιήστε έναν εύκαμπτο σωλήνα αέρα που να αντέχει στις υψηλές πιέσεις. Η πίεση αέρα που χρησιμοποιείται για αυτό το καρφωτικό εργαλείο είναι υψηλότερη από ότι για άλλα καρφωτικά εργαλεία γενικής επεξεργασίας. (Εικ. 3)
- Να χρησιμοποιείτε ένα εύκαμπτο σωλήνα αέρα όσο το δυνατόν πιο φαρδύ και όσο το δυνατόν πιο κοντά για να εξασφαλίσετε συνεχή, επαρκή λειτουργία καρφώματος.

ΠΡΟΣΟΧΗ:

- Η χαμηλή έξοδος αέρα του συμπιεστή ή ο εύκαμπτος σωλήνας αέρα με μεγαλύτερο μήκος ή μικρότερη διάμετρο σε σχέση με τη συχνότητα καρφώματος μπορεί να προκαλέσει μείωση της ικανότητας καρφώματος του εργαλείου.

Λίπανση (Εικ. 4)

Για να εξασφαλίσετε τη μέγιστη απόδοση, τοποθετήστε ένα σετ αέρα (λιπαντήρας, ρυθμιστής, φίλτρο αέρα) όσο το δυνατόν πιο κοντά στο εργαλείο. Ρυθμίστε το λιπαντήρα έτσι ώστε να παρέχει μία σταγόνα λαδιού κάθε 50 καρφιά.

Όταν δεν χρησιμοποιείται σετ αέρα, να λιπαίνεται το εργαλείο με λάδι για εργαλεία πεπιεσμένου αέρα τοποθετώντας 2 (δύο) ή 3 (τρεις) σταγόνες στο προσάρτημα αέρα. Αυτό πρέπει να πραγματοποιείται πριν και μετά από τη χρήση. Για τη σωστή λίπανση, πρέπει να εκπυρσοκροτείτε το εργαλείο δύο-τρεις φορές μετά από την εισαγωγή του λαδιού για εργαλεία πεπιεσμένου αέρα. **(Εικ. 5)**

ΠΕΡΙΓΡΑΦΗ ΛΕΙΤΟΥΡΓΙΑΣ

ΠΡΟΣΟΧΗ:

- Να κλειδώνετε πάντοτε τη σκανδάλη και να αποσυνδέετε τον εύκαμπτο σωλήνα πριν ρυθμίσετε ή ελέγχετε τη λειτουργία του εργαλείου.

Έλεγχος πριν από τη λειτουργία

ΠΡΟΕΙΔΟΠΟΙΗΣΗ:


- Ποτέ να μη χρησιμοποιείτε το καρφωτικό εργαλείο όταν τα στοιχεία ασφάλειας δεν βρίσκονται σε λειτουργία. Η χρήση του υπό αυτές τις συνθήκες μπορεί να προκαλέσει προσωπικό τραυματισμό και βλάβες.

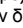
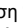
Αυτό το καρφωτικό εργαλείο δεν εξαπολύει καρφιά χωρίς να ενεργοποιούνται και η σκανδάλη και τα στοιχεία προστασίας. Πριν από το κάρφωμα, ελέγξτε το καρφωτικό εργαλείο ώστε τα συστήματα ασφαλείας να βρίσκονται σε λειτουργία ακολουθώντας τη διαδικασία που δείχνεται παρακάτω. **(Εικ. 6)**

1. Βεβαιωθείτε ότι τα καρφιά δεν έχουν φορτωθεί στο εργαλείο πριν από τη λειτουργία.
2. Συνδέστε τον εύκαμπτο σωλήνα αέρα στο εργαλείο.
3. Τοποθετήστε το μοχλό κλειδώματος στην ελεύθερη θέση.
4. Τραβήξτε την θύρα κύλισης του γεμιστήρα προς τα εσάς.
5. Τραβήξτε μόνο τη σκανδάλη.
6. Ελευθερώστε το δάχτυλο από τη σκανδάλη και τοποθετήστε το στοιχείο ασφαλείας επάνω στο τεμάχιο εργασίας.
7. Βγάλετε το στοιχείο ασφαλείας από το τεμάχιο εργασίας, τραβήξτε τη σκανδάλη και κατόπιν τοποθετήστε το στοιχείο ασφαλείας επάνω στο τεμάχιο εργασίας.
8. Αν το καρφωτικό εργαλείο λειτουργεί μεταξύ 5 - 7, τα στοιχεία ασφαλείας δεν βρίσκονται σε λειτουργία. **(Εικ. 7 και 8)**

Χρήση του κλειδώματος σκανδάλης

Το εργαλείο διαθέτει κλειδώμα σκανδάλης για να αποφεύγονται τα ατυχήματα εξαιτίας μιας αθέλητης εκκίνησης. Το κλειδώμα της σκανδάλης θέτει τη σκανδάλη σε ακινησία και δεν επιτρέπει το εργαλείο να εκπυρσοκροτήσει.

Για να κλειδώσετε τη σκανδάλη, τοποθετήστε το μοχλό στη "LOCK"  θέση.

Πριν από το κάρφωμα, τοποθετήστε το μοχλό κλειδώματος στη θέση "FREE" . Όταν δεν βρίσκεται σε λειτουργία, να το θέτετε πάντοτε στη θέση "LOCK"  και αποσυνδέετε τον εύκαμπτο σωλήνα από το εργαλείο. **(Εικ. 9 και 10)**

Ρύθμιση βάθους καρφώματος

ΠΡΟΣΟΧΗ:

- Να κλειδώνετε πάντοτε τη σκανδάλη και να αποσυνδέετε τον εύκαμπτο σωλήνα πριν ρυθμίσετε το βάθος καρφώματος. **(Εικ. 11 και 12)**

Για να ρυθμίσετε το βάθος καρφώματος, περιστρέψτε το ρυθμιστή. Το βάθος καρφώματος είναι το μέγιστο όταν ο ρυθμιστής έχει περιστραφεί εντελώς προς την κατεύθυνση Α που απεικονίζεται στην εικόνα. Θα γίνεται μικρότερο καθώς περιστρέφεται το ρυθμιστή στην κατεύθυνση Β.

Γάντζος (Εικ. 13)

ΠΡΟΣΟΧΗ:

- Να κλειδώνετε πάντοτε τη σκανδάλη και να αποσυνδέετε τον εύκαμπτο σωλήνα πριν αλλάξετε τη θέση τοποθέτησης του γάντζου και πριν χρησιμοποιήσετε το γάντζο.
- Μην κρεμάτε ποτέ το εργαλείο σε υψηλές τοποθεσίες, στη ζώνη σας ή σε πιθανώς ασταθείς επιφάνειες.

Ο γάντζος χρησιμεύει για το προσωρινό κρέμασμα του εργαλείου.

Μπορείτε τοποθετήσετε το γάντζο σε οποιαδήποτε πλευρά του εργαλείου.

Κατά την αλλαγή της θέσης τοποθέτησης, αφαιρέστε τη βίδα από το γάντζο. Τοποθετήστε το γάντζο στη ζητούμενη θέση και ασφαλίστε τον με τη βίδα.

ΣΥΝΑΡΜΟΛΟΓΗΣΗ

ΠΡΟΣΟΧΗ:

- Να κλειδώνετε πάντοτε τη σκανδάλη και να αποσυνδέετε τον εύκαμπτο σωλήνα πριν πραγματοποιήσετε οποιαδήποτε εργασία στο εργαλείο.
- Όταν φορτώνετε καρφιά στο γεμιστήρα, να φορτώνετε καρφιά του ίδιου είδους και μεγέθους αλλά και καρφιά με ομοίμορφο μήκος.

Γέμισμα του πιστολιού καρφώματος

ΠΡΟΣΟΧΗ:

- Να κλειδώνετε πάντοτε τη σκανδάλη και να αποσυνδέετε τον εύκαμπτο σωλήνα πριν φορτώσετε το καρφωτικό εργαλείο. **(Εικ. 14)**

Για να ανοίξετε την κυλιόμενη θύρα του γεμιστήρα, πιέστε το μοχλό και τραβήξτε την κυλιόμενη θύρα προς το μέρος σας με το μοχλό πιεσμένο. **(Εικ. 15)**

Ευθύγραμμιστε τη μύτη των καρφιών με τις εγκοπές στο κάτω μέρος του γεμιστήρα και πιέστε ολόκληρο το τμήμα των καρφιών προς το άνοιγμα εκπυρσοκρότησης. **(Εικ. 16)**

Κλείστε καλά τη θύρα κύλισης.

Κλείστε την κυλιόμενη θύρα.

Προσαρμογές μύτης

ΠΡΟΣΟΧΗ:

Να κλειδώνετε πάντοτε τη σκανδάλη και να αποσυνδέετε τον εύκαμπτο σωλήνα πριν φορτώσετε το καρφωτικό εργαλείο. **(Εικ. 17)**

Για να αποφευχθούν το γρατζούνισμα ή τη φθορά του τεμαχίου εργασίας, χρησιμοποιήστε τον προσαρμογέα μύτης. Πριν την συναρμολόγηση του προσαρμογέα μύτης, αφαιρέστε με το εξαγωνικό άλεν τις δύο βίδες που

ασφαλίζουν τον οδηγό του μπροστινού κινητήριου οδηγού.

Συναρμολογήστε τον προσαρμογέα μύτης έτσι ώστε η προεξοχή του να εφαρμόζει στην εγκοπή του στοιχείου επαφής. **(Εικ. 18)**

Να φυλάσσετε τον προσαρμογέα μύτης στη θέση του όταν δεν τον χρησιμοποιείτε. Ο χώρος αποθήκευσης βρίσκεται στο πίσω μέρος της θύρας κύλισης.

Ανοίξτε λίγο τη θύρα κύλισης και τοποθετήστε τον προσαρμογέα μύτης πάνω στον υποδοχέα με την πόρτα κύλισης ελαφρώς ανοιχτή, και κατόπιν κλείστε τη θύρα κύλισης. Συνολικά μπορούν να αποθηκευτούν δύο προσαρμογείς μύτης. **(Εικ. 19)**

Για να βγάλετε με ευκολία τον προσαρμογέα μύτης από τον υποδοχέα, τραβήξτε τον προς τα έξω χρησιμοποιώντας ένα εξαγωνικό άλεν από το πίσω μέρος της θύρας κύλισης.

Σύνδεση του εύκαμπτου σωλήνα αέρα

ΠΡΟΣΟΧΗ:

- Μην τοποθετείτε ποτέ το δάχτυλό σας στη σκανδάλη, κατά τη σύνδεση του εύκαμπτου σωλήνα αέρα. Ασφαλίστε τη σκανδάλη και σύρτε την υποδοχή αέρα του εύκαμπτου σωλήνα αέρα στο προσάρτημα αέρα στο καρφωτικό εργαλείο. Βεβαιωθείτε ότι η υποδοχή αέρα κλειδώνει σταθερά στη θέση της όταν την τοποθετείτε στο προσάρτημα αέρα. Πρέπει να τοποθετηθεί μια σύζευξη εύκαμπτων σωλήνων επάνω ή κοντά στο εργαλείο με τρόπο ώστε να εκτονώνεται το δοχείο πίεσης τη στιγμή που αποσυνδεθεί η σύζευξη παροχής αέρα.

ΛΕΙΤΟΥΡΓΙΑ

ΠΡΟΣΟΧΗ:

- Να είστε πάντα βέβαιοι ότι πρώτα έχετε τοποθετήσει το στοιχείο επαφής στο τεμάχιο εργασίας πριν τραβήξετε τη σκανδάλη. **(Εικ. 20)**

Για να καρφώσετε, τοποθετήστε το μοχλό κλειδώματος στη θέση "FREE ⇐".

Τοποθετήστε το στοιχείο επαφής στο τεμάχιο εργασίας και κατόπιν τραβήξτε τη σκανδάλη. **(Εικ. 21)**

Μηχανισμός προστασίας από το κάρφωμα χωρίς καρφιά

Το εργαλείο αυτό είναι εξοπλισμένο με μηχανισμό προστασίας από το κάρφωμα χωρίς καρφιά.

Όταν βρίσκονται σε θέση αποσυμπίεσης για να αποτραπεί η ενεργοποίηση του εργαλείου. Φορτώστε περισσότερα καρφιά για να επαναφέρετε τη λειτουργία.

Εμπλοκή του καρφωτικού πιστολιού

ΠΡΟΣΟΧΗ:

- Να κλειδώνετε πάντα τη σκανδάλη, να αποσυνδέετε τον εύκαμπο σωλήνα αέρα και να αφαιρείτε όλα τα καρφιά από το γεμιστήρα πριν από την αποκατάσταση μιας εμπλοκής. **(Εικ. 22)**

Ανοίξτε την κλιούμενη θύρα και αφαιρέστε τα καρφιά από το γεμιστήρα.

Βγάλετε την κωνική άκρη στο πάνω μέρος του εξαγωνικού άλεν πιέζοντάς την. **(Εικ. 23)**

Αφαιρέστε με το εξαγωνικό άλεν τις δύο βίδες που ασφαλίζουν τον οδηγό του εμπρόσθιου μεταδότη.

Βγάλετε τα καρφιά που έχουν μπλοκάρει από την εγκοπή του οδηγού καρφώματος η οποία εμφανίστηκε.

Όταν υπάρχει δυσκολία στην αφαίρεση των μπλοκαρισμένων καρφιών, αφαιρέστε με το εξαγωνικό άλεν τις δύο επιπλέον βίδες που ασφαλίζουν τον πίσθιο κινητήρια οδηγό. Κατόπιν βγάλετε τα έξω.

Καρφιά (Εικ. 24)

Να χειρίζεστε τις ταινίες καρφιών και το κουτί τους προσεχτικά. Αν ο χειρισμός των ταινιών καρφιών γίνει με ακατάλληλο τρόπο, μπορεί να χάσουν το σχήμα τους ή να σπάσει το συνδετικό τους με αποτέλεσμα την ανεπαρκή τροφοδοσία καρφιών.

Αποφύγετε να αποθηκεύετε καρφιά σε μέρη με πολύ υγρασία ή υψηλή θερμοκρασία ή σε μέρη που είναι εκτεθειμένα στο άμεσο ηλιακό φως. **(Εικ. 25)**

ΣΥΝΤΗΡΗΣΗ

ΠΡΟΣΟΧΗ:

- Να κλειδώνετε πάντοτε τη σκανδάλη και να αποσυνδέετε τον εύκαμπο σωλήνα του αέρα πριν επιχειρήσετε να εκτελέσετε έλεγχο ή συντήρηση.

Συντήρηση του καρφωτικού εργαλείου (Εικ. 26)

Πριν από τη λειτουργία, να ελέγχετε πάντοτε τη γενική κατάσταση του εργαλείου, αλλά και αν οι βίδες είναι χαλαρές. Σφίξτε όπως απαιτείται. **(Εικ. 27)**

Με το εργαλείο αποσυνδεδεμένο, πραγματοποιήστε καθημερινό έλεγχο για να επιβεβαιώσετε ότι το στοιχείο επαφής και η σκανδάλη κινούνται ελεύθερα. Μη χρησιμοποιείτε το εργαλείο αν κολλάει ή εμπλέκεται το στοιχείο επαφής ή η σκανδάλη.

Αποστράγγιση του εργαλείου (Εικ. 28)

Να αποσυνδέετε τον εύκαμπο σωλήνα από το εργαλείο. Τοποθετήστε το εργαλείο έτσι ώστε το προσάρτημα αέρα να βλέπει προς το πάτωμα. Αποστραγγίστε όσο το δυνατόν περισσότερο.

Καθαρισμός του εργαλείου

Αφαιρέστε τη σκόνη με τη χρήση ενός στρεί αέρα.

Καπάκι (Εικ. 29)

Κλειδώστε τη σκανδάλη και αποσυνδέετε τον εύκαμπο σωλήνα, όταν δεν βρίσκονται σε χρήση. Κατόπιν καλύψτε τη θύρα του προσαρτήματος αέρα. **(Εικ. 30)**

Όταν το εργαλείο δεν πρόκειται να χρησιμοποιηθεί για μεγάλο χρονικό διάστημα, λιπάνετε το εργαλείο χρησιμοποιώντας λάδι για εργαλεία πετρεσμένου αέρα και αποθηκεύστε το εργαλείο σε ασφαλές μέρος. Να αποφεύγετε την έκθεση στο άμεσο ηλιακό φως ή/και σε περιβάλλον με υγρασία ή ζέστη. **(Εικ. 31)**

Συντήρηση του συμπιεστή, του σετ αέρα και του εύκαμπτου σωλήνα αέρα (Εικ. 32 και 33)

Μετά από τη λειτουργία, να αποστραγγίζετε πάντοτε τη δεξαμενή του συμπιεστή και το φίλτρο αέρα. Αν εισέλθει υγρασία στο εργαλείο, μπορεί να έχει ως αποτέλεσμα ανεπαρκή απόδοση και πιθανή βλάβη του εργαλείου. Να ελέγχετε τακτικά να δείτε αν υπάρχει αρκετό λάδι για εργαλεία πετρεσμένου αέρα στο λιπαντήρα του σετ αέρα.

Αν δεν διατηρείται η επαρκής λίπανση, θα προκληθεί γρήγορη φθορά των στρογγυλών δακτυλίων. **(Εικ. 34)**
Να διατηρείτε τον εύκαμπτο σωλήνα αέρα μακριά από τη θερμότητα (θερμοκρασία υψηλότερη από 60°C, ή 140°F) και μακριά από χημικές ουσίες (διαλύτες, ισχυρά οξέα ή ισχυρές βάσεις). Επίσης, να δρομολογείτε τον εύκαμπτο σωλήνα μακριά από εμπόδια στα οποία θα μπορούσε να εμπλακεί επικίνδυνα κατά τη λειτουργία.

Οι εύκαμπτοι σωλήνες πρέπει να δρομολογούνται μακριά από αιχμηρά άκρα και περιοχές που μπορεί να οδηγήσουν σε βλάβη ή τρίψιμο του εύκαμπτου σωλήνα.

(Εικ. 35)

Για να διατηρείται η ΑΣΦΑΛΕΙΑ και η ΑΞΙΟΠΙΣΤΙΑ του προϊόντος, οι εργασίες επισκευής, καθώς και οποιαδήποτε άλλη εργασία συντήρησης και ρύθμισης, θα πρέπει να εκτελούνται σε εξουσιοδοτημένα κέντρα εξυπηρέτησης της Makita, και πάντοτε με τη χρήση ανταλλακτικών της Makita.

ΑΞΕΣΟΥΑΡ

ΠΡΟΣΟΧΗ:

- Συνιστάται η χρήση των παρακάτω αξεσουάρ και εξαρτημάτων με το εργαλείο της Makita μόνο όπως καθορίζεται στο παρόν εγχειρίδιο. Αν χρησιμοποιήσετε άλλα αξεσουάρ ή εξαρτήματα μπορεί να παρουσιαστεί κίνδυνος για πρόκληση ατομικού τραυματισμού. Να χρησιμοποιείτε τα αξεσουάρ και τα εξαρτήματα μόνο για το σκοπό για τον οποίο προορίζονται.

Αν χρειάζεστε κάποια βοήθεια ή περισσότερες πληροφορίες σχετικά με τα αξεσουάρ αυτά, απευθυνθείτε στο πλησιέστερο κέντρο εξυπηρέτησης της Makita.

- Καρφιά
- Εύκαμπτοι σωλήνες αέρα
- Γυαλιά προστασίας

Για ευρωπαϊκές χώρες μόνο Θόρυβος και κραδασμός

ENG045-2

Το σύνθετος σταθμισμένο επίπεδο ηχητικής πίεσης είναι:
επίπεδο ηχητικής πίεσης: 74 dB (A)
επίπεδο ηχητικής ισχύος: 87 dB (A).

Να φοράτε ωτοασπίδες

Η συνήθης σταθμισμένη μέση τετραγωνική ρίζα της τιμής επιτάχυνσης δεν υπερβαίνει τα 2,5 m/s²

Αβεβαιότητα (K): 1,5 m/s²

Οι τιμές αυτές έχουν ληφθεί σύμφωνα με το EN792.

ΕΚ – ΔΗΛΩΣΗ ΣΥΜΜΟΡΦΩΣΗΣ

ENH013-5

Δηλώνουμε με αποκλειστική ευθύνη μας ότι το προϊόν αυτό συμμορφώνεται με τα ακόλουθα πρότυπα των τυποποιημένων εντύπων:

EN792 σε συμφωνία με τις Οδηγίες της Επιτροπής, 98/37/EK.

CE 2008



Tomoyasu Kato

Διευθυντής

Υπεύθυνος Κατασκευαστής:

Makita Corporation

3-11-8, Sumiyoshi-cho, Anjo, Aichi, JAPAN

Εξουσιοδοτημένος Αντιπρόσωπος στην Ευρώπη:

Makita International Europe Ltd.

Michigan Drive, Tongwell, Milton Keynes, Bucks MK15

8JD, ΑΓΓΛΙΑ

Makita Corporation
Anjo, Aichi, Japan

884806-999